



TRACK HORSE

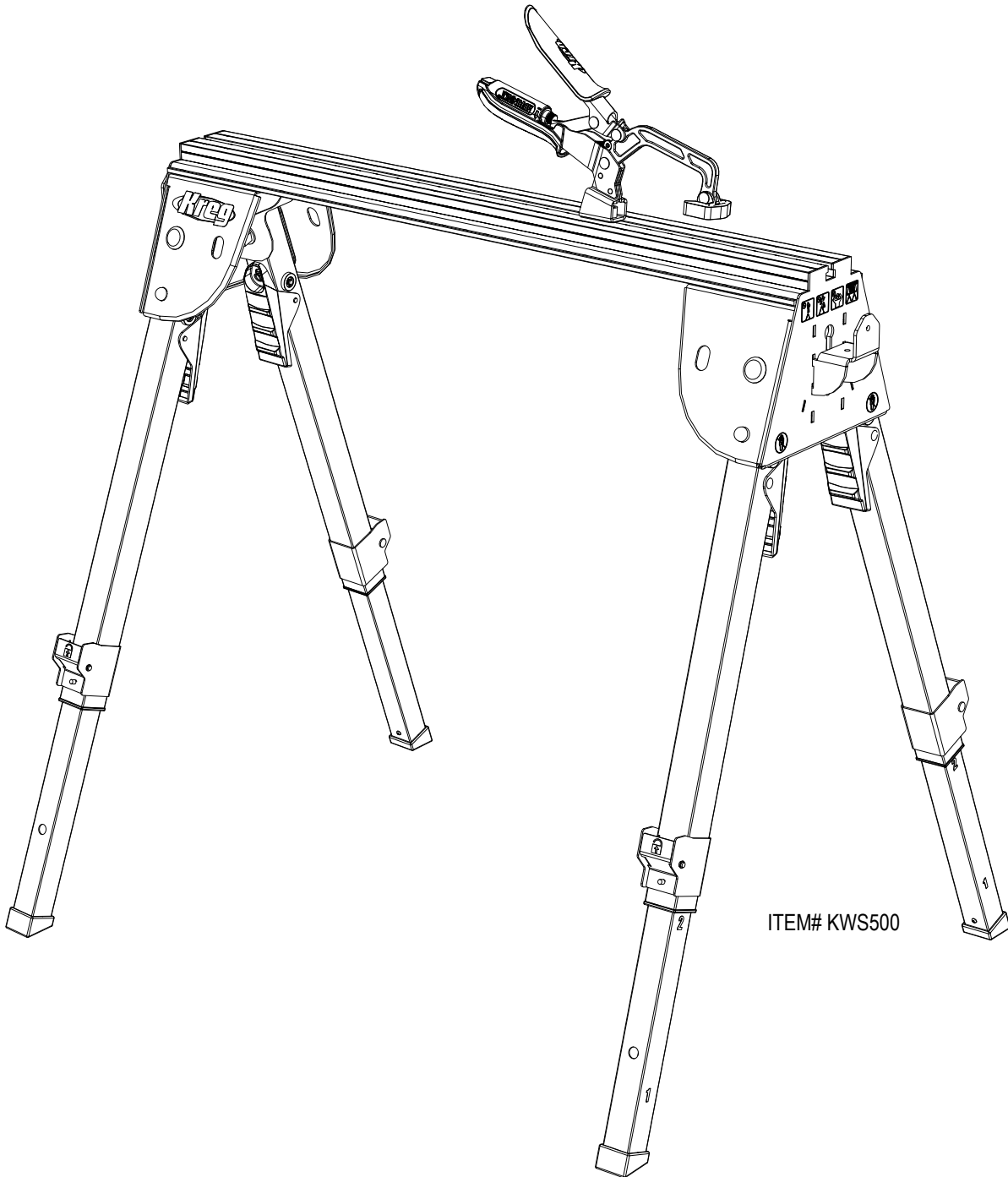
Owner's Manual

Guide d'utilisation • Manual del propietario

Phone: 800.447.8638

Email: customerservice@kregtool.com

Online: www.kregtool.com



ITEM# KWS500

GENERAL SAFETY INSTRUCTIONS

⚠ WARNING When using electric tools with this product, always follow the tool manufacturer's instructions in addition to the safety precautions *below* to reduce risk of fire, electric shock, and personal injury. Read all these instructions before attempting to operate this product. **SAVE THESE INSTRUCTIONS.**

1) WORK AREA SAFETY

- A) Keep work area clean and well lit. Cluttered or dark areas invite accidents.
- B) Don't use power tools in a dangerous environment. Don't use power tools in damp or wet locations, or expose them to rain.
- C) Do not operate power tools in explosive atmospheres, such as in the presence of flammable liquids, gases or dust. Power tools create sparks that can ignite the fumes or dust.
- D) Keep children and bystanders away while operating a power tool. Distractions can cause you to lose control.
- E) Make your workshop child proof. Use padlocks, master switches, or remove starter keys.

2) ELECTRICAL SAFETY

- A) Ground electric tools. If the tool is equipped with a three-prong plug, it must be plugged into a grounded three-hole electrical outlet. If the proper outlet is not available, have one installed by a qualified electrician. Never remove the third prong or modify the provided plug in any way.
- B) Do not expose power tools to rain or wet conditions. Water entering a power tool increases the risk of electric shock.
- C) Do not abuse the cord. Never use the cord for carrying, pulling or unplugging the power tool. Keep cord away from heat, oil, sharp edges or moving parts. Damaged or entangled cords increase the risk of electric shock.
- D) Use a proper extension cord and make sure it is in good condition. When using an extension cord, be sure to use one heavy enough to carry the current your power tool draws. An undersized cord causes a drop in line voltage resulting in loss of power and overheating. Table 1 shows the correct cord gauge to use depending on cord length and tool nameplate ampere rating. If in doubt, use the next heavier gage. The smaller the gage number, the heavier the cord.
- E) When operating electric tools, avoid body contact with grounded or earthed surfaces such as pipes, radiators, kitchen ranges, and refrigerators. Contact with a grounded surface increases the risk of electric shock.

3) PERSONAL SAFETY

- A) Stay alert, watch what you are doing and use common sense when operating a power tool. Do not use a power tool while you are tired or under the influence of drugs, alcohol or medication. A moment of inattention while operating power tools can result in serious personal injury.
- B) Always wear safety glasses. Everyday eyeglasses are not safety glasses. Safety glasses have specially constructed lenses, frames, and side shields.
- C) Use safety equipment. Use a face or dust mask when the cutting operation is dusty. Safety equipment such as a dust mask, non-skid safety shoes, hard hat, or hearing protection used for appropriate conditions reduces personal injuries.
- D) Avoid accidental starting. Make sure the switch is in the off-position before plugging in. Carrying power tools with your finger on the switch or plugging in power tools that have the switch on invites accidents.
- E) Remove any adjusting key or wrench before turning the power tool on. A wrench or a key left attached to a rotating part of the power tool can result in personal injury.
- F) Do not overreach. Keep proper footing and balance at all times. This enables better control of the power tool in unexpected situations.
- G) Secure workpieces. Use clamps or a vise to hold work when practical. This is safer than using your hand and it frees both hands to operate the tool.
- H) Never stand on the machine. Serious injury can occur if the tool tips or if the cutting tool is unintentionally contacted.
- I) Dress properly. Do not wear loose clothing or jewelry. Keep your hair, clothing and gloves away from moving parts. Loose clothes, jewelry or long hair can be caught in moving parts. Roll up long sleeves to the elbow. Wear protective hair covering to contain long hair.
- J) If devices are provided for the connection of dust extraction and collection equipment, ensure these are connected and properly used. Use of these devices reduces dust-related hazards.

4) POWER TOOL USE AND CARE

- A) Keep guards in place and in working order.
- B) Do not force the power tool. Use the correct power tool for your application. The correct power tool will do the job better and safer at the rate for which it was designed.
- C) Use the right tool. Don't force a tool or attachment to do a job for which it was not designed.
- D) Do not use the power tool if the switch does not turn it on and off. Any power tool that cannot be controlled with the switch is dangerous and must be repaired.
- E) Disconnect the plug from the power source and/or the battery pack from the power tool before making any adjustments, changing accessories, or storing power tools. Such preventive safety measures reduce the risk of starting the power tool accidentally.
- F) Never leave a tool running unattended. Turn power off. Do not leave the tool until it comes to a complete stop.
- G) Store idle power tools out of the reach of children and do not allow persons unfamiliar with the power tool and these instructions to operate the power tool. Power tools are dangerous in the hands of untrained users.
- H) Maintain power tools. Check for misalignment or binding of moving parts, broken parts, and any other condition that can affect power tool operation. If damaged, have the power tool repaired before use. Many accidents are caused by poorly maintained power tools.
- I) Keep cutting tools sharp and clean. Properly maintained cutting tools with sharp cutting edges are less likely to bind and are easier to control.
- J) Use the recommended speed for the cutting tool or accessory and workpiece material.
- K) Only use parts and accessories recommended by the manufacturer. Consult the owner's manual for recommended accessories. Using improper accessories can cause personal injury.
- L) Use the power tool, accessories, and tool bits in accordance with these instructions and in the manner intended for the particular type of power tool, taking into account the working conditions and the work to be performed. Use of the power tool for operations different from those intended can result in a hazardous situation.

5) SERVICE

- A) Have your power tool serviced by a qualified repair person using only identical replacement parts. This ensures that the safety of the power tool is maintained.

6) SAFETY INSTRUCTIONS SPECIFIC TO THE KREG TRACK HORSE

- A) When deploying the legs, make sure the locking pins are fully engaged in the leg-bracket holes. Keep hands away from potential pinch points.
- B) When adjusting leg height, make sure the locking pins are fully engaged in the leg holes.
- C) When folding the legs, do not trap hand between the leg and the track. Keep hands away from potential pinch points.
- D) Always work on a sturdy, dry, level surface.
- E) When using power tools with the Track Horse, follow the tool manufacturer's safety instructions.
- F) When using two Track Horses in Table Setup, always support workpieces on both 2x4 side rails or both Track Horses. Make sure the saw blade does not contact the side rails or Track Horses.
- G) When using two Track Horses in Cutting Setup, always support workpieces on both 2x4 side rails and at least one 2x4 cross-member attached to the Track Horse T-track with the provided hardware. Adjust the saw depth of cut to 1/8" [3mm] deeper than the thickness of the workpiece.
- H) The Track Horse is not intended for use outdoors in damp conditions.
- I) Always store the Track Horse inside or in an area sheltered from weather.
- J) Do not use the Track Horse as scaffolding, a step, or seat, or for any purpose not indicated in this manual.
- K) Do not rest material on leg-extension locks.
- L) Do not hang items from the Track Horse, except as indicated in this manual.

GENERAL SAFETY INSTRUCTIONS

GUIDELINES FOR EXTENSION CORD USE

Extension cords are only to be used for temporary purposes. They do not replace the need for installation of outlets and proper wiring where necessary.

IN THE SHOP AND ON CONSTRUCTION SITES:

1. Extension cords with an equipment grounding conductor must be used at all times.
2. Extension cords must be protected from damage, and not run through doorways or windows where the doors or windows may close, causing damage to the cord.
3. Extension cords should be a minimum of 16 AWG and be rated for the equipment in use.
4. Extension cords must be periodically inspected to ensure that the insulation and conductivity of the wires are not compromised.
5. Extension cords should not be run through water or allowed to have connections that may be exposed to accumulated water.

TABLE 1

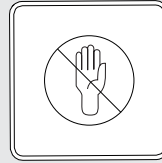
NAMEPLATE AMPERES @120 V	EXTENSION CORD LENGTH					
	25'	50'	75'	100'	150'	200'
	RECOMMENDED WIRE GAUGE					
0 - 5	16	16	16	14	12	12
5.1 - 8	16	16	14	12	10	NR
8.1 - 12	14	14	12	10	NR	NR
12.1 - 16	12	12	NR	NR	NR	NR

NR – NOT RECOMMENDED

⚠ ELECTRICAL SHOCK HAZARD: The metal parts of this product conduct electricity. Avoid any condition that causes electrical contact. Improperly grounded power tools present a hazard of electrical shock that can result in serious bodily injury or death, particularly when used in a damp location, in proximity to plumbing and other earthed surfaces, or outdoors.

⚠ WARNING: This product can expose you to chemicals including Carbon Black, which is known to the State of California to cause cancer. For more information go to www.P65Warnings.ca.gov.

EXPLANATION OF SAFETY SYMBOLS FOUND ON THE TRACK HORSE



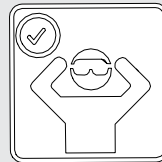
PINCH POINT



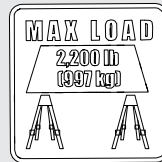
DO NOT STAND ON THE TRACK HORSE



DO NOT SIT ON THE TRACK HORSE



ALWAYS WEAR EYE PROTECTION



MAXIMUM LOAD, TWO TRACK HORSES USED TOGETHER: 2200 LBS. [997 KG.], EVENLY DISTRIBUTED

KREG TRACK HORSE LIMITED WARRANTY

Kreg Tool Company warrants to the original purchaser only, that the Kreg Track Horse will be free from defects in material and workmanship for a period of three (3) years from date of purchase. Kreg Tool Company will, at its option, repair or replace any product (or component part thereof) proving defective during said warranty period. This warranty applies only to products which are used in accordance with all instructions set forth in catalogs, manuals and/or instruction sets furnished by Kreg Tool Company.

This warranty becomes effective only if the original purchaser fully and properly completes product registration online (www.kregtool.com) or calls Kreg Tool Company Customer Service (1-800-447-8638).

This warranty is null and void if the product has been subjected to (1) misuse, abuse or improper storage; (2) accident, neglect, damage or other circumstances beyond Kreg Tool Company's control; (3) modifications, disassembly, tampering, alterations or repairs not authorized by Kreg Tool Company; and (4) for non-original purchasers. This warranty does not apply to normal wear and tear, corrosion, abrasion, or repairs required due to natural causes or acts of God.

This is Kreg Tool Company's sole warranty. Any and all other warranties which may be implied by law, including any warranties for merchantability or fitness for a particular purpose, are hereby limited to the duration of this warranty. Kreg Tool Company shall not be liable for any loss, damage or expense directly or indirectly related to the use of its products or from any other cause or for consequential damages (including without limitation, loss of time, inconvenience, and loss of production). The warranty contained herein may not be modified and no other warranty, expressed or implied, shall be made by or on behalf of Kreg Tool Company.

For your records the following information will be useful in the event a warranty claim is required. For complete records attach copy of proof of purchase.

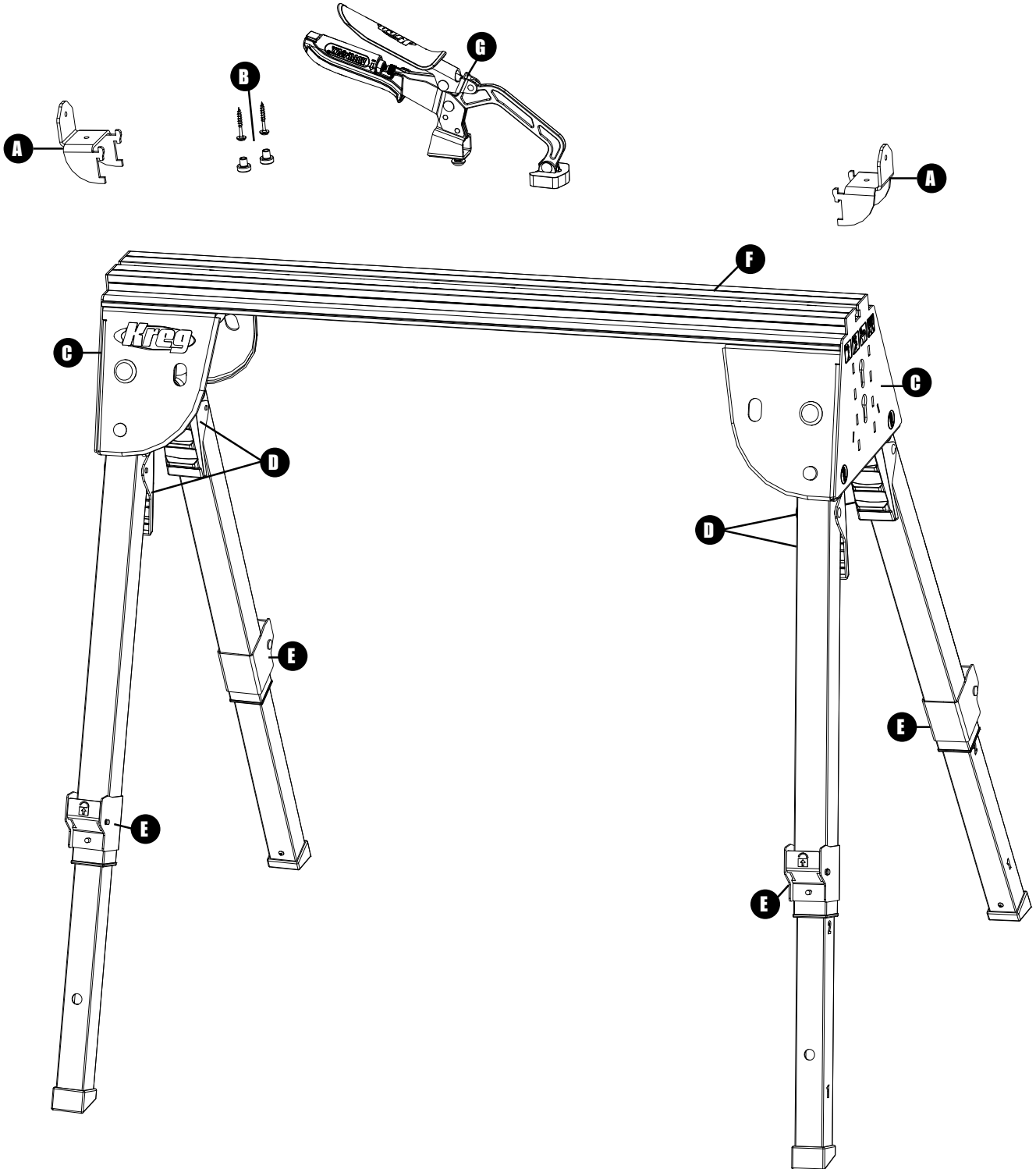
Date of Purchase ___/___/___

Purchased From: _____

PARTS

#	NAME	QUANTITY
A	SUPPORT BRACKETS	2
B	TRACK BUSHINGS & SCREWS	2
C	LEG BRACKET	2
D	LEG-PIVOT LOCK	4

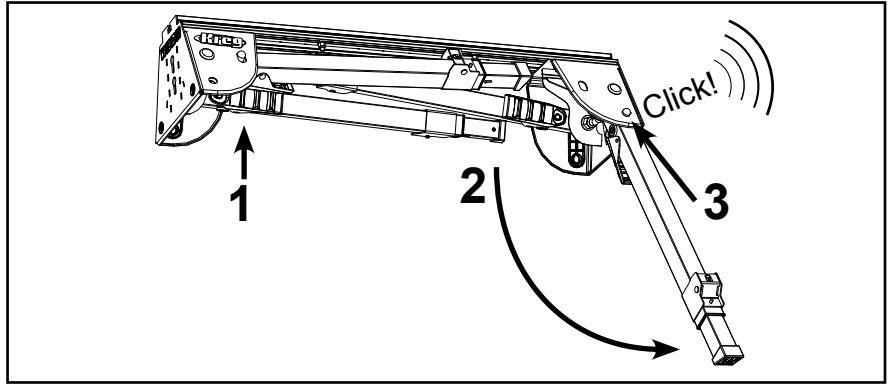
#	NAME	QUANTITY
E	LEG-EXTENSION LOCK	4
F	CLAMP TRACK	1
G	BENCH CLAMP	1



SETUP

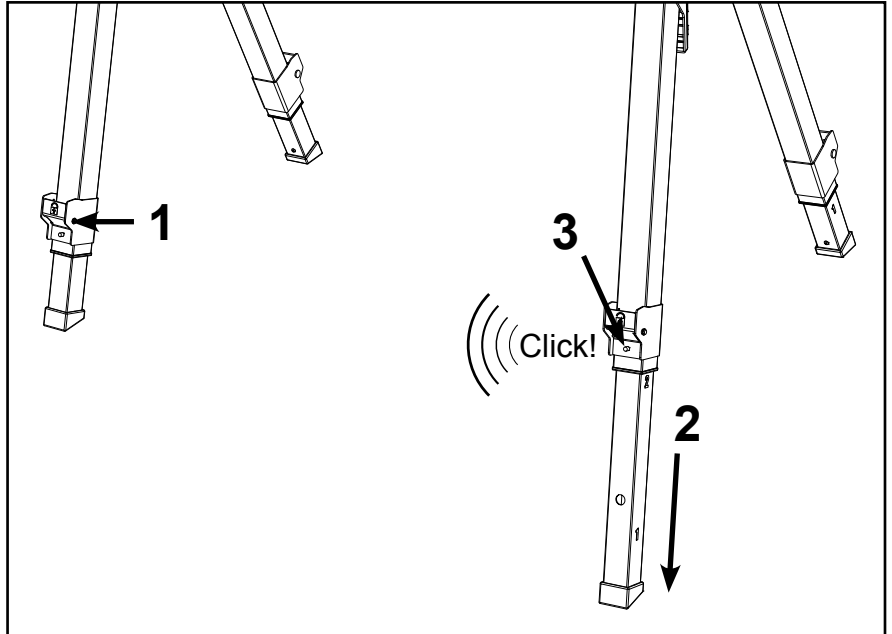
SETUP

- 1 Squeeze leg-pivot lock.
- 2 Pivot leg to down position.
- 3 Click!



EXTEND LEGS

- 1 Depress leg-extension lock.
- 2 Pull leg to down position.
- 3 Click!



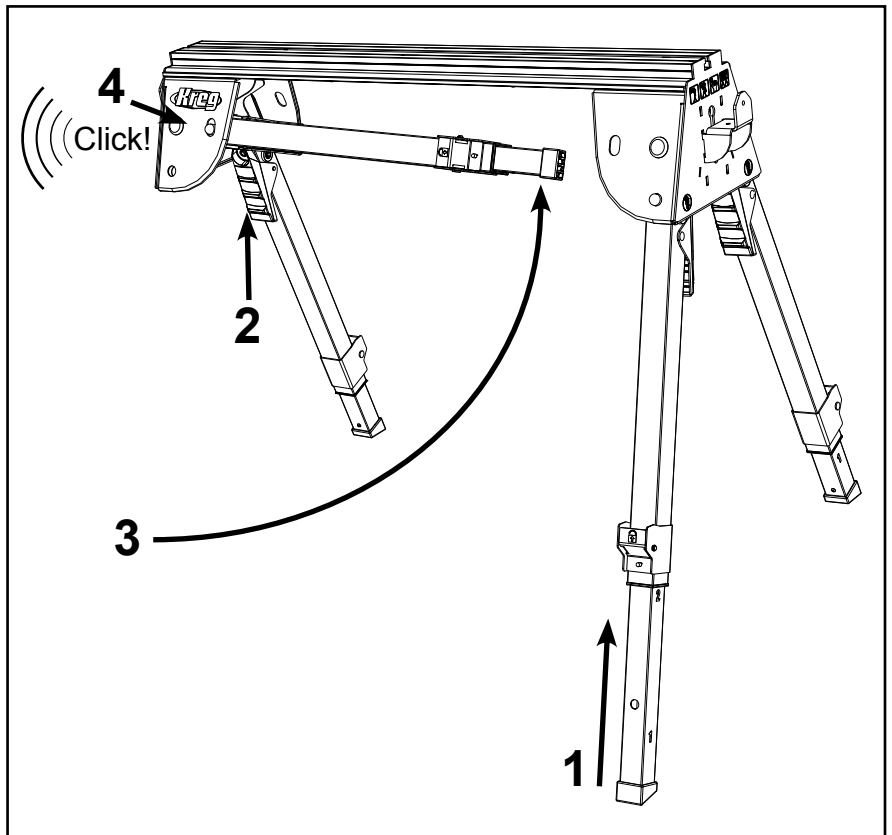
TRACK HORSE HEIGHTS

LEG POSITION	HEIGHT OF TRACK
Folded	6.63" [168mm]
1	24.65" [626mm]
2*	31.65" [804mm]
3	32.65" [829mm]
4	33.65" [855mm]
5	34.65" [880mm]
6	35.65" [906mm]

*Leg Position 2 matches the height of the Kreg Mobile Project Center.

STOW

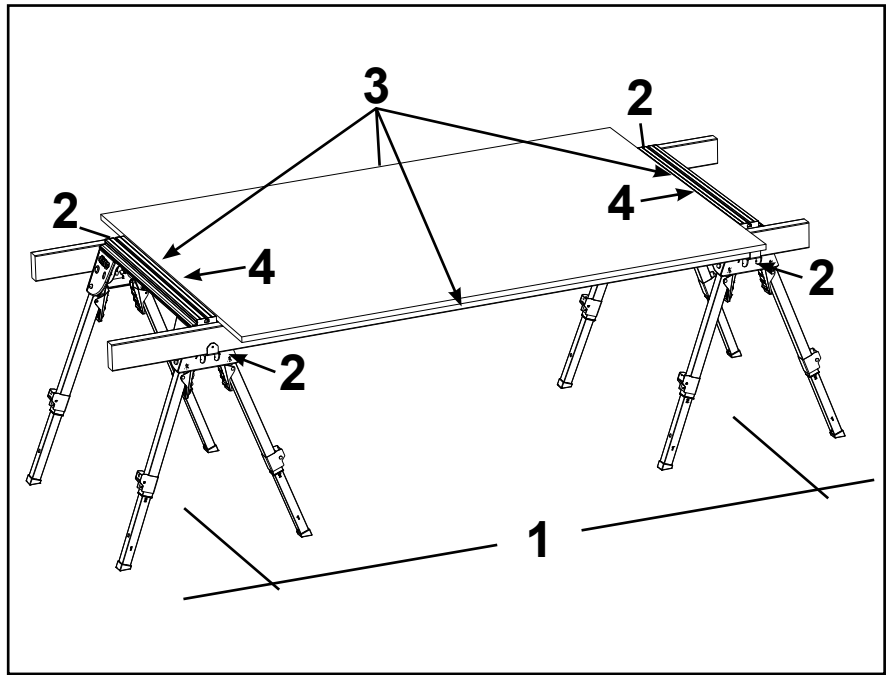
- 1 Return legs to height position 1.
- 2 Squeeze leg-pivot lock.
- 3 Pivot leg to folded position.
- 4 Make sure locking pin engages.



SETUP

TABLE SETUP

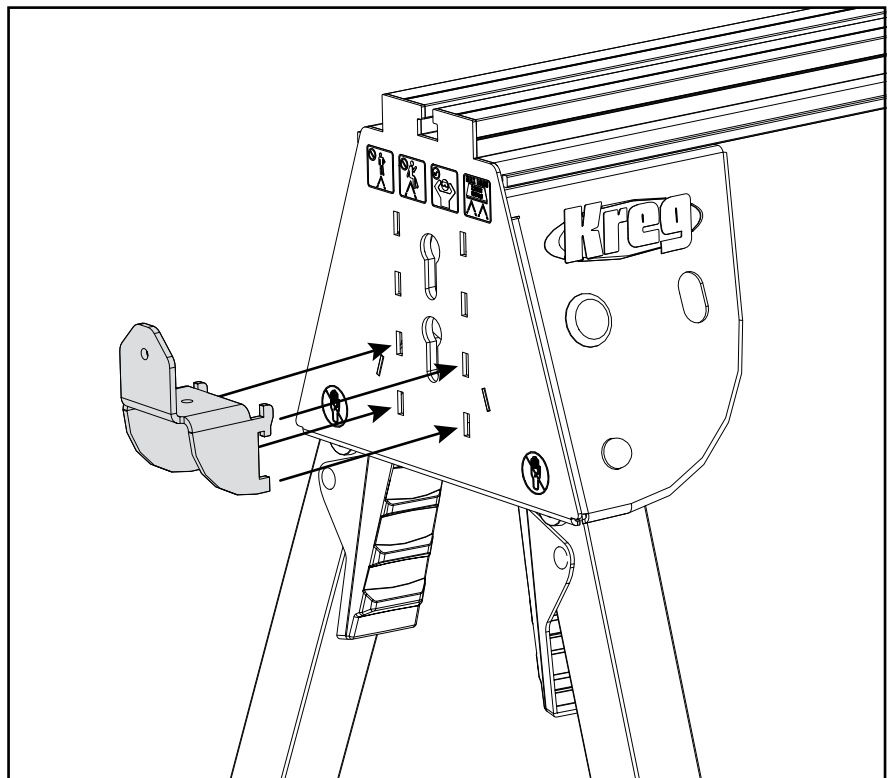
- 1 Place two Track Horses maximum 7 feet [2m] apart.
- 2 Support Brackets in lower position, one 2x4 in each pair of Brackets.
- 3 $\frac{3}{4}$ " plywood rests on 2x4s and edges of both Clamp Tracks.
- 4 Plywood edges placed tightly against both Clamp Tracks.
- 5 Distribute weight uniformly.



WARNING: Maximum load, two Track Horses used together, 2,200 lb. [998 kg.], evenly distributed

BRACKET POSITION: TABLE SETUP

Mount Support Brackets in lower slots.

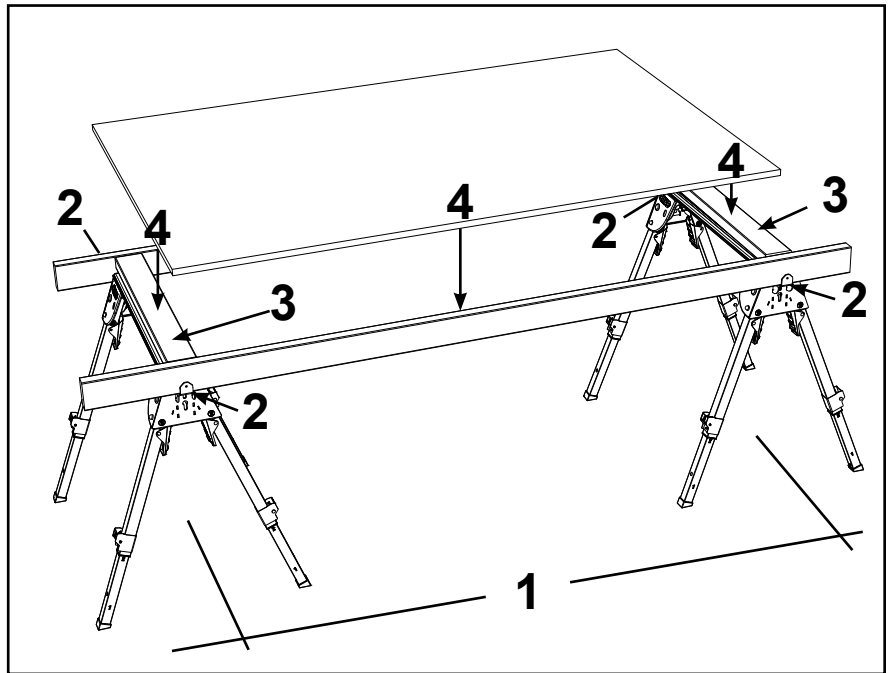


SETUP

CUTTING SETUP

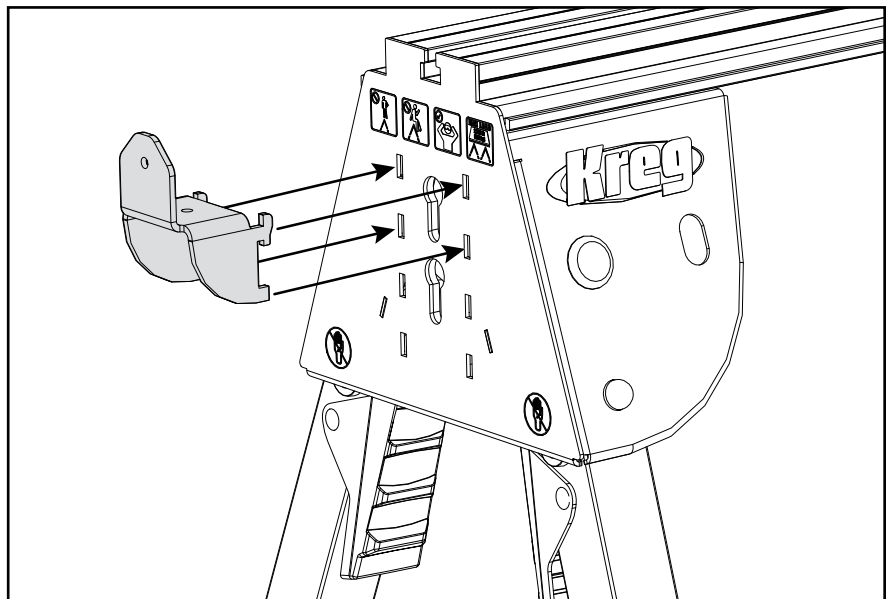
- 1 Place two Track Horses maximum 7 feet [2m] apart.
- 2 Support Brackets in upper position, one 2x4 in each pair of Brackets.
- 3 Sacrificial 2x4 installed on each Mobile Project Center (see *MOUNTING A SACRIFICIAL 2X4*)
- 4 Workpiece rests on 2x4s and sacrificial 2x4s.
- 5 Distribute weight uniformly.

⚠ WARNING: Maximum load, two Track Horses used together, 2,200 lb. [998 kg.], evenly distributed



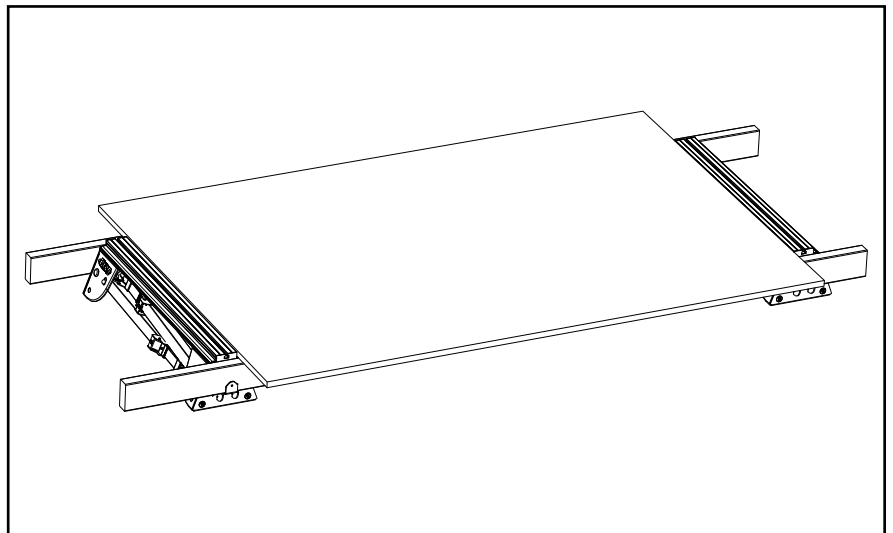
BRACKET POSITION: CUTTING SETUP

Mount the Support Brackets in upper slots.



GROUND-LEVEL MODE

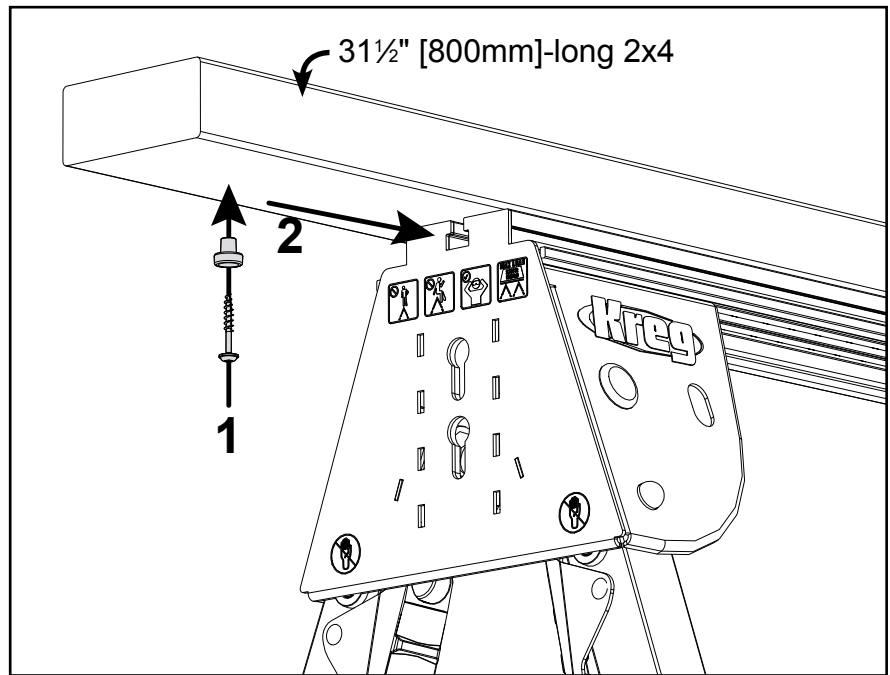
Use a pair of Track Horses with the legs folded in TABLE SETUP (leg brackets resting on the ground) to create a low-height assembly table or in CUTTING SETUP (leg brackets resting on the ground) for cutting large, heavy sheet goods.



SETUP

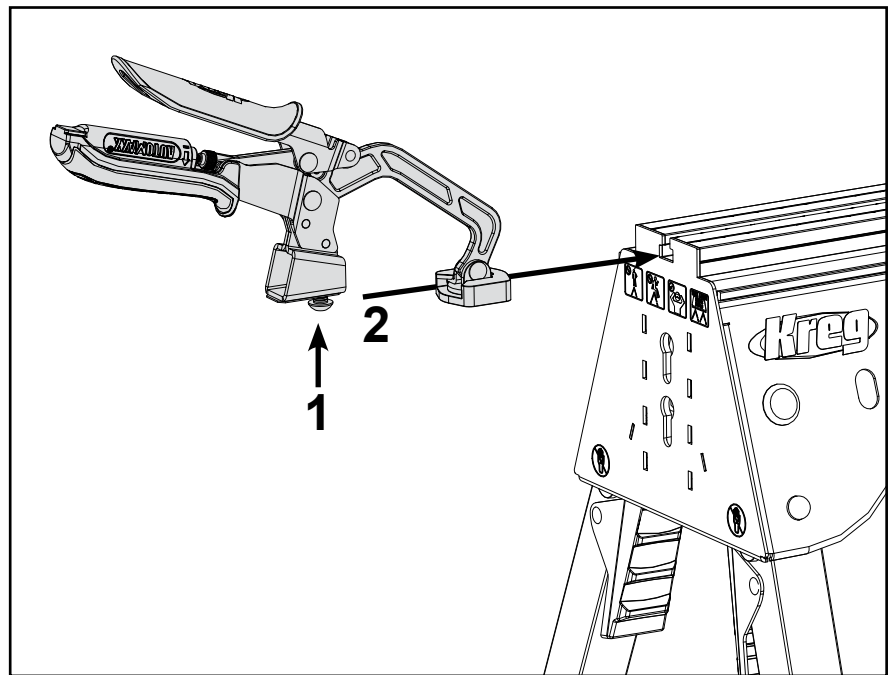
MOUNTING A SACRIFICIAL 2X4

- 1 Fasten the Track Bushings to the 2x4.
- 2 Slide them into the T-slot.

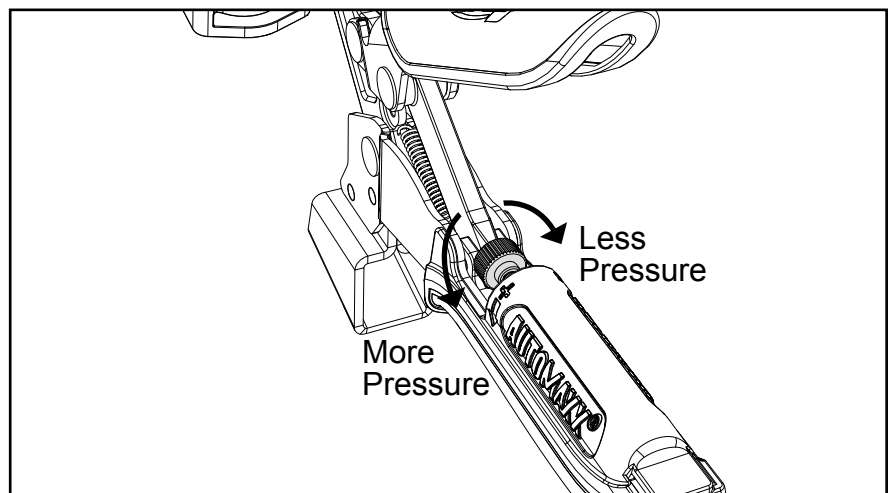


MOUNTING A BENCH CLAMP

- 1 Adjust the clamp anchor screw.
- 2 Slide it into the T-slot.



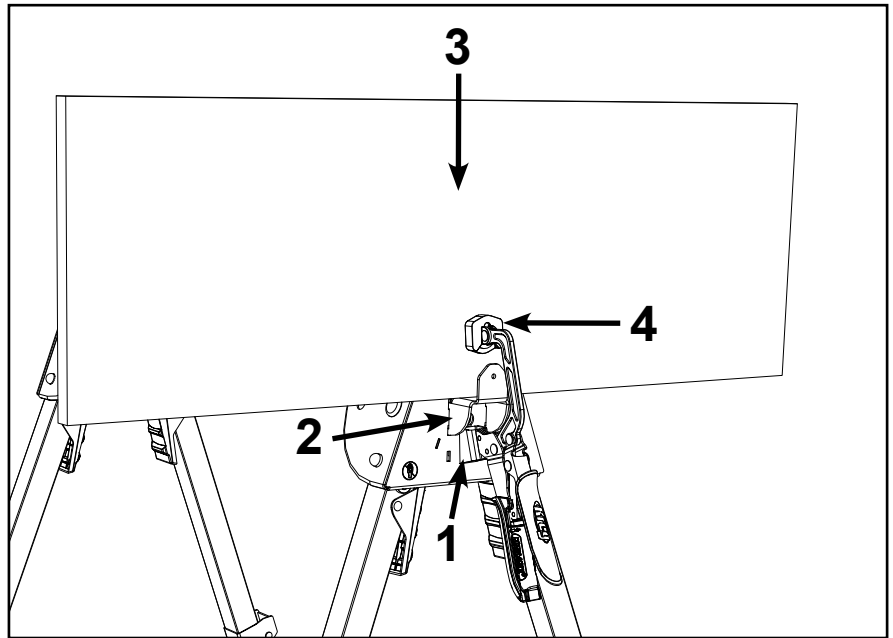
ADJUSTING BENCH CLAMP PRESSURE



SETUP

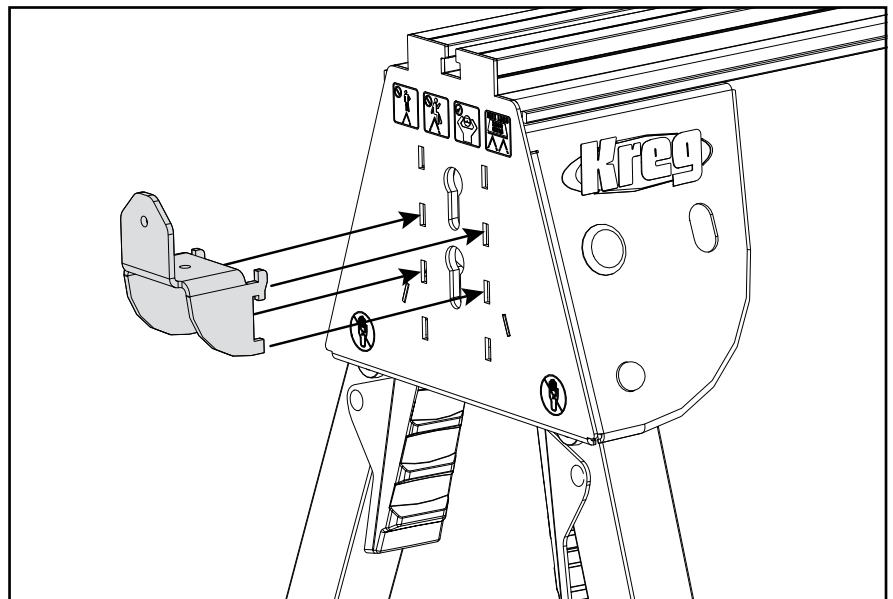
CLAMP VISE

- 1 Install the Bench Clamp in lower keyhole slot.
- 2 Install the Support Bracket in middle slots.
- 3 Rest the workpiece on Bracket
- 4 and clamp.



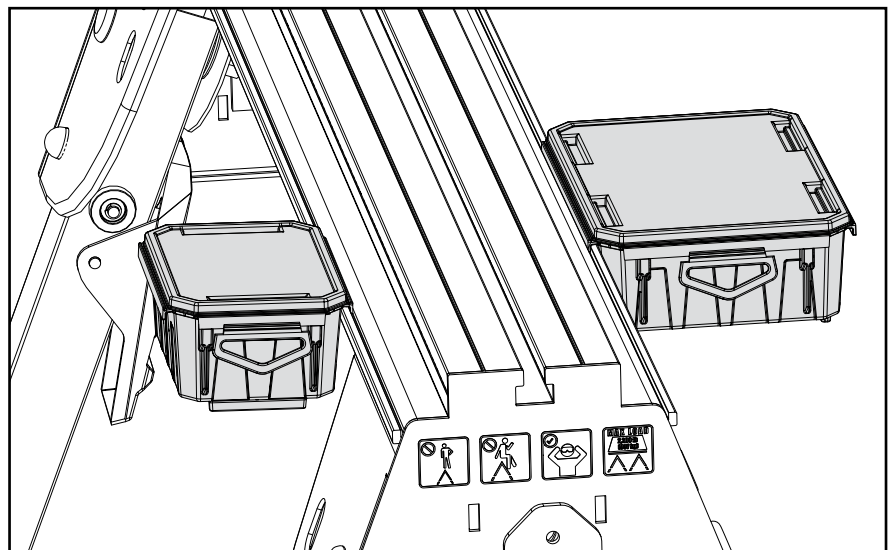
BRACKET POSITION: CLAMP VISE

Mount Support Brackets in middle slots.



ADDITIONAL FEATURES

Hang Kreg screw containers from Track edges.



⚠ ATTENTION: Hang only Kreg 250-count and smaller screw containers, and Kreg small or large hardware containers.

CONSIGNES DE SÉCURITÉ GÉNÉRALES

⚠ AVERTISSEMENT Lorsque vous utilisez des outils électriques avec cet article, suivez toujours les instructions du fabricant de l'outil en plus des consignes de sécurité ci-dessous afin de réduire le risque d'incendie, de choc électrique et de blessure. Assurez-vous de lire toutes les instructions avant de tenter d'utiliser cet article. **CONSERVEZ CES INSTRUCTIONS.**

1) MESURES DE SÉCURITÉ DANS L'AIRE DE TRAVAIL

- A) L'aire de travail doit être propre et bien éclairée. Une aire de travail encombrée ou peu éclairée augmente le risque d'accident.
- B) N'utilisez pas un outil électrique dans un environnement dangereux. N'utilisez pas un outil électrique dans un endroit mouillé ou humide et ne l'exposez pas à la pluie.
- C) N'utilisez pas d'outils électriques dans un endroit présentant un risque d'explosion, par exemple où il y a présence de liquides, de vapeurs ou de poussières inflammables. Les outils électriques produisent des étincelles pouvant enflammer les vapeurs ou les poussières.
- D) Gardez les enfants et les autres personnes à l'écart lorsque vous utilisez un outil électrique. Une distraction peut vous faire perdre la maîtrise de l'outil.
- E) Empêchez les enfants d'accéder à votre atelier. Utilisez des cadenas et un interrupteur général, ou retirez les clés du commutateur d'allumage.

2) CONSIGNES DE SÉCURITÉ RELATIVES À L'ÉLECTRICITÉ

- A) Branchez les outils électriques sur une prise mise à la terre. Un outil muni d'une fiche à trois broches ne doit être branché que sur une prise de courant à trois alvéoles mise à la terre. Si vous ne disposez pas d'une telle prise, demandez à un électricien qualifié d'en installer une. Ne retirez jamais la troisième broche et ne modifiez jamais la fiche.
- B) N'exposez pas les outils électriques à la pluie ou à tout autre environnement humide. Les risques de choc électrique sont plus élevés si de l'eau s'est infiltrée dans un outil électrique.
- C) N'utilisez pas le cordon d'alimentation de façon abusive. Ne transportez jamais un outil électrique en le tenant par son cordon ou ne tirez jamais sur le cordon pour le débrancher. Tenez le cordon d'alimentation éloigné des sources de chaleur, de l'huile, des objets coupants et des pièces mobiles. Les risques de choc électrique sont plus élevés si le cordon d'alimentation est endommagé ou emmêlé.
- D) Utilisez une rallonge appropriée et assurez-vous qu'elle est en bon état. Utilisez une rallonge qui convient au courant consommé par l'outil. Une rallonge de calibre insuffisant entraînera une baisse de la tension secteur, une perte de puissance et une surchauffe. Le tableau 1 montre le calibre de la rallonge approprié selon la longueur de la rallonge et l'intensité nominale inscrite sur la plaque signalétique de l'outil. En cas de doute, utilisez une rallonge de calibre supérieur. Plus le numéro du calibre est bas, plus la rallonge est résistante.
- E) Lorsque vous utilisez des outils électriques, évitez de toucher à des surfaces mises à la terre, par exemple un tuyau, un radiateur, une cuisinière ou un réfrigérateur. Le contact de votre corps avec une surface mise à la terre augmente les risques de choc électrique.

3) SÉCURITÉ PERSONNELLE

- A) Soyez vigilant, prêtez attention à ce que vous faites et faites preuve de jugement lorsque vous utilisez un outil électrique. N'utilisez pas un outil électrique lorsque vous êtes fatigué ou sous l'effet de drogues, d'alcool ou de médicaments. Un moment d'inattention pendant que vous utilisez des outils électriques peut occasionner des blessures graves.
- B) Portez toujours des lunettes de sécurité. Les lunettes ordinaires ne sont pas des lunettes de sécurité. En plus d'être pourvues d'écrans latéraux, les lunettes de sécurité sont munies d'une monture et de verres spéciaux.
- C) Utilisez de l'équipement de sécurité. Portez un masque facial ou un masque antipoussières quand la coupe produit beaucoup de poussière. Le port d'équipement de sécurité, comme un masque antipoussières, des chaussures de sécurité antidérapantes, un casque de protection et des protecteurs auditifs, lorsque les conditions l'exigent, réduit les risques de blessures.
- D) Évitez les mises en marche accidentelles de l'outil. Assurez-vous que l'interrupteur de l'outil est à la position d'arrêt avant de le brancher. Le fait de transporter un outil électrique en gardant le doigt sur l'interrupteur ou de le brancher, tandis que son interrupteur est en position de marche, augmente les risques d'accident.
- E) Retirez toutes les clés de réglage de l'outil électrique avant de mettre celui-ci en marche. Une clé de réglage oubliée sur une pièce rotative de l'outil électrique peut occasionner des blessures corporelles.
- F) Ne vous étirez pas pour étendre votre portée. Gardez une posture sécuritaire et un bon équilibre en tout temps. Cela vous permet de mieux maîtriser l'outil électrique lorsque des situations inattendues se présentent.
- G) Assurez-vous que la pièce travaillée est bien fixée. Utilisez des serre-joints ou un étai pour fixer la pièce sur laquelle vous travaillez, au besoin. Cette technique est plus sécuritaire que l'utilisation de vos mains et vous permet de garder les mains libres pour faire fonctionner l'outil.
- H) Ne vous tenez jamais debout sur l'outil. Des blessures graves peuvent survenir s'il se renverse ou si l'outil tranchant est accidentellement mis en marche.
- I) Habillez-vous convenablement. Ne portez pas de vêtements amples ni de bijoux. Gardez vos cheveux, vos vêtements et vos gants loin des pièces mobiles. Les vêtements amples, les bijoux et les cheveux longs risquent de se prendre dans les pièces en mouvement. Roulez vos manches jusqu'aux coudes. Couvrez vos cheveux s'ils sont longs.

J) Si un dispositif permet de raccorder un dépoussiéreur, assurez-vous que celui-ci est branché et utilisé correctement. L'emploi d'un dépoussiéreur contribue à réduire les dangers liés à la poussière.

4) UTILISATION ET ENTRETIEN D'UN OUTIL ÉLECTRIQUE

- A) Gardez les protecteurs en place et en état de fonctionnement.
- B) Ne forcez pas l'outil électrique. Utilisez l'outil électrique approprié à l'utilisation que vous envisagez. L'utilisation de l'outil électrique approprié permet d'obtenir de meilleurs résultats, de façon plus sécuritaire, selon le régime de fonctionnement prévu.
- C) Utilisez le bon outil. Ne tentez pas d'utiliser un outil ou l'un de ses accessoires pour effectuer un travail pour lequel il n'est pas conçu.
- D) N'utilisez pas l'outil électrique si l'interrupteur ne fonctionne pas. Tout outil qui ne peut pas être contrôlé par l'interrupteur est dangereux et doit être réparé.
- E) Débranchez la fiche de la prise ou retirez le bloc-piles de l'outil électrique avant d'effectuer des réglages, de changer d'accessoire ou de le ranger. Ces mesures de sécurité préventives réduisent les risques de mise en marche accidentelle de l'outil électrique.
- F) Ne laissez jamais l'outil en marche sans surveillance. Coupez l'alimentation électrique. Ne vous éloignez pas de l'outil tant qu'il ne s'est pas complètement arrêté.
- G) Rangez les outils électriques inutilisés hors de la portée des enfants et ne laissez pas les personnes ne connaissant pas bien l'outil et ces instructions utiliser ce dernier. Les outils électriques sont dangereux s'ils se retrouvent entre les mains d'utilisateurs qui ne savent pas s'en servir.
- H) Entretenez les outils électriques. Vérifiez les pièces mobiles pour vous assurer qu'elles ne sont pas désalignées, enrayerées, brisées ou dans un état qui pourrait nuire au fonctionnement de l'outil électrique. Si elles sont endommagées, faites-les réparer avant d'utiliser l'outil électrique. De nombreux accidents sont provoqués par des outils électriques mal entretenus.
- I) Gardez vos outils tranchants affûtés et propres. Des outils tranchants bien entretenus dont les lames sont affûtées risquent moins de se bloquer et sont plus faciles à maîtriser.
- J) Utilisez la vitesse recommandée pour l'outil de coupe, l'accessoire et la pièce à travailler.
- K) N'utilisez que des pièces et des accessoires recommandés par le fabricant. Consultez la liste des accessoires recommandés dans le guide d'utilisation. L'utilisation d'accessoires inappropriés peut causer des blessures.
- L) Utilisez l'outil électrique, les accessoires, et les embouts conformément aux instructions et aux fins pour lesquelles l'outil a été conçu, en tenant compte des conditions de travail et des tâches à effectuer. L'utilisation de l'outil électrique à des fins autres que celles pour lesquelles il a été conçu risque d'entraîner une situation dangereuse.

5) RÉPARATION

- A) Demandez à un technicien qualifié qui utilise seulement des pièces de rechange identiques aux pièces d'origine d'effectuer l'entretien de votre outil électrique. Vous vous assurez ainsi de respecter les consignes de sécurité de l'outil électrique.

6) CONSIGNES DE SÉCURITÉ PROPRES AU CHEVALET À RAIL KREG TRACK HORSE

- A) Lorsque vous dépliez les pieds, assurez-vous que les goupilles d'arrêt s'enclenchent complètement dans les trous de support des pieds. Gardez vos mains éloignées des points de pincement potentiels.
- B) Assurez-vous que les goupilles d'arrêt sont bien enclenchées dans les trous des pieds lorsque vous réglez la hauteur des pieds.
- C) Prenez garde à ne pas pincer votre main entre le pied et le rail. Gardez vos mains éloignées des points de pincement potentiels.
- D) Travaillez toujours sur une surface stable, sèche et de niveau.
- E) Lorsque vous utilisez des outils électriques avec le chevalet à rail Track Horse, respectez les consignes de sécurité du fabricant de l'outil.
- F) Lorsque vous utilisez deux chevalets à rail Track Horse pour faire une table, assurez-vous que les pièces travaillées sont toujours bien appuyées sur les deux traverses latérales de 2 x 4 po ou sur les deux chevalets à rail Track Horse. Assurez-vous que la lame n'entre pas en contact avec les traverses latérales ou avec les chevalets à rail Track Horse.
- G) Lorsque vous utilisez deux chevalets à rail Track Horse dans une configuration de coupe, assurez-vous que les pièces travaillées sont toujours bien appuyées sur deux traverses latérales de 2 x 4 po et au moins une traverse de 2 x 4 po fixée à la coulisse en T du chevalet à rail Track Horse à l'aide de la quincaillerie fournie. Réglez la profondeur de coupe à 3 mm (1/8 po) de plus que l'épaisseur de la pièce travaillée.
- H) Le chevalet à rail Track Horse n'est pas conçu pour une utilisation extérieure dans des conditions humides.
- I) Rangez toujours le chevalet à rail Track Horse à l'intérieur ou dans un endroit à l'abri des intempéries.
- J) N'utilisez pas le chevalet à rail Track Horse comme un échafaudage, une marche ou un siège ni pour un usage qui n'est pas indiqué dans le présent manuel.
- K) Ne posez pas de matériaux sur les dispositifs de blocage des rallonges de pied.
- L) N'accrochez pas d'objets sur le chevalet à rail Track Horse, sauf comme indiqué dans le présent manuel.

CONSIGNES DE SÉCURITÉ GÉNÉRALES

INSTRUCTIONS POUR L'UTILISATION DES RALLONGES

Les rallonges ne servent qu'à un usage temporaire. Elles ne remplacent pas la nécessité d'installer des prises ni d'effectuer le câblage, au besoin.

DANS L'ATELIER OU SUR LES CHANTIERS DE CONSTRUCTION :

1. Utilisez des rallonges munies d'un conducteur de mise à la terre en tout temps.
2. Protégez les rallonges contre les dommages. Ne les faites pas passer par les portes ou les fenêtres, car celles-ci pourraient se refermer et endommager les rallonges.
3. Choisissez des rallonges d'un calibre minimal de 16 AWG qui conviennent aux outils que vous utilisez.
4. Inspectez périodiquement les rallonges afin de vous assurer que les fils sont bien isolés et que leur conductivité n'est pas compromise.
5. Ne faites pas passer de rallonges dans l'eau et ne les raccordez pas dans des endroits où de l'eau pourrait s'accumuler.

TABLEAU 1

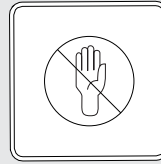
PLAQUE SIGNALÉTIQUE AMPÈRES À 120 V	LONGUEUR DE LA RALLONGE					
	25'	50'	75'	100'	150'	200'
	CALIBRE DE CÂBLE RECOMMANDÉ					
0 - 5	16	16	16	14	12	12
5.1 - 8	16	16	14	12	10	NR
8.1 - 12	14	14	12	10	NR	NR
12.1 - 16	12	12	NR	NR	NR	NR

NR : NON RECOMMANDÉ

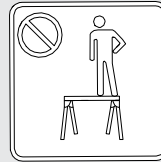
⚠ RISQUE DE CHOC ÉLECTRIQUE Les pièces métalliques de cet article conduisent l'électricité. Évitez toute situation qui pourrait causer des contacts électriques. Les outils électriques mis à la terre de façon inappropriée peuvent entraîner des risques de choc électrique, ce qui pourrait causer des blessures graves, voire mortelles, surtout s'ils sont utilisés dans un environnement humide, à proximité de conduites d'eau ou de surfaces mises à la terre, ou encore à l'extérieur.

⚠ AVERTISSEMENT : Cet article peut vous exposer à des produits chimiques, notamment au noir de carbone, une substance reconnue par l'État de la Californie comme étant la cause de cancers. Pour plus de renseignements, rendez-vous au www.P65Warnings.ca.gov.

EXPLICATION DES SYMBOLES DE SÉCURITÉ DU CHEVALET À RAIL TRACK HORSE



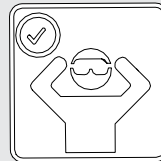
POINT DE PINCEMENT



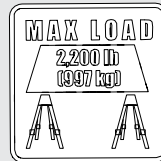
NE VOUS TENEZ PAS DEBOUT SUR LE CHEVALET À RAIL TRACK HORSE



NE VOUS ASSEYEZ PAS SUR LE CHEVALET À RAIL TRACK HORSE



PORTEZ TOUJOURS DES LUNETTES DE SÉCURITÉ



CHARGE MAXIMALE LORSQUE DEUX CHEVALETS À RAIL TRACK HORSE SONT UTILISÉS CONJOINTEMENT : 997 KG (2 200 lb), RÉPARTIS DE FAÇON UNIFORME

GARANTIE LIMITÉE DU CHEVALET À RAIL KREG TRACK HORSE

Kreg Tool Company garantit à l'acheteur initial seulement que le chevalet à rail Kreg Track Horse ne présente aucun défaut de matériaux ou de fabrication pour une période de trois (3) ans à compter de la date d'achat. Durant la période de garantie, Kreg Tool Company réparera ou remplacera tout produit ou toute pièce jugés défectueux à sa discrétion. La présente garantie s'applique uniquement aux produits utilisés conformément à toutes les instructions indiquées dans les catalogues et les manuels et tout autre manuel d'instructions fournis par Kreg Tool Company.

La présente garantie entre en vigueur seulement si l'acheteur initial enregistre correctement son produit en ligne (www.kregtool.com) ou s'il communique avec le service à la clientèle de Kreg Tool Company au 1 800 447-8638.

La présente garantie est nulle et non avenue si le produit (1) a fait l'objet d'un usage inapproprié ou abusif ou d'entreposage inadéquat; (2) a subi un accident ou des dommages ou a fait l'objet d'une négligence de toute autre circonstance indépendante de la volonté de Kreg Tool Company; (3) a été modifié, démonté, manipulé, transformé ou réparé d'une façon non autorisée par Kreg Tool Company; et (4) pour les acheteurs non initiaux. La présente garantie ne couvre pas l'usure normale, la corrosion, l'abrasion, ni les réparations découlant de causes naturelles ou de cas de force majeure.

Ce qui précède constitue l'unique garantie de Kreg Tool Company. Toutes les autres garanties prévues par la loi, y compris toute garantie de qualité marchande ou de conformité à un usage particulier, sont limitées, par les présentes, à la durée de cette garantie. Kreg Tool Company n'est pas responsable des pertes, des dommages ni des dépenses découlant, directement ou indirectement, de l'utilisation de ces produits ou de toute autre cause, ni des dommages consécutifs, y compris sans toutefois s'y limiter, la perte de temps, les désagréments et la perte de production. La garantie décrite aux présentes ne peut être modifiée, et aucune autre garantie, qu'elle soit expresse ou implicite, ne peut être offerte par Kreg Tool Company ou en son nom.

Veillez conserver les renseignements suivants si vous devez effectuer une réclamation au titre de la garantie. Pour avoir un dossier complet, veuillez joindre une copie de la preuve d'achat.

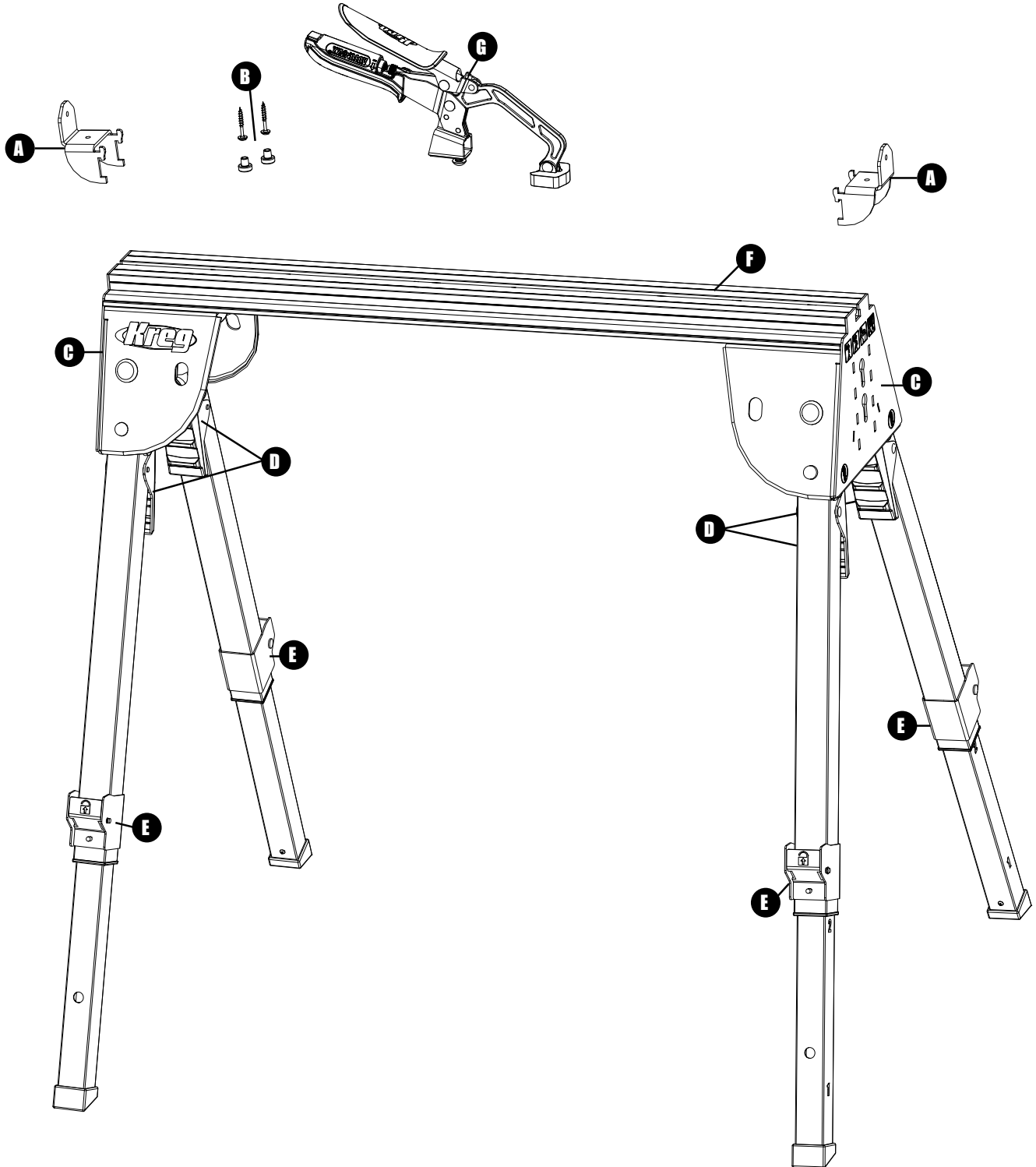
Date d'achat ___/___/___

Nom du détaillant : _____

PIÈCES

#	NAME	QUANTITÉ
A	SUPPORTS	2
B	DOUILLES ET VIS POUR RAIL	2
C	SUPPORT DE PIED	2
D	DISPOSITIF DE BLOCAGE DES PIEDS	4

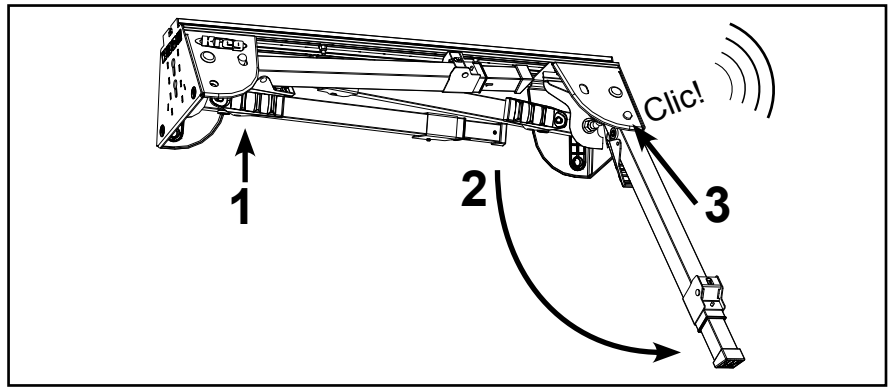
#	NAME	QUANTITÉ
E	DISPOSITIF DE BLOCAGE DES RALLONGES DE PIED	4
F	RAIL POUR SERRE-JOINT TRAK	1
G	SERRE-JOINT D'ÉTABLI BENCH CLAMP	1



CONFIGURATION

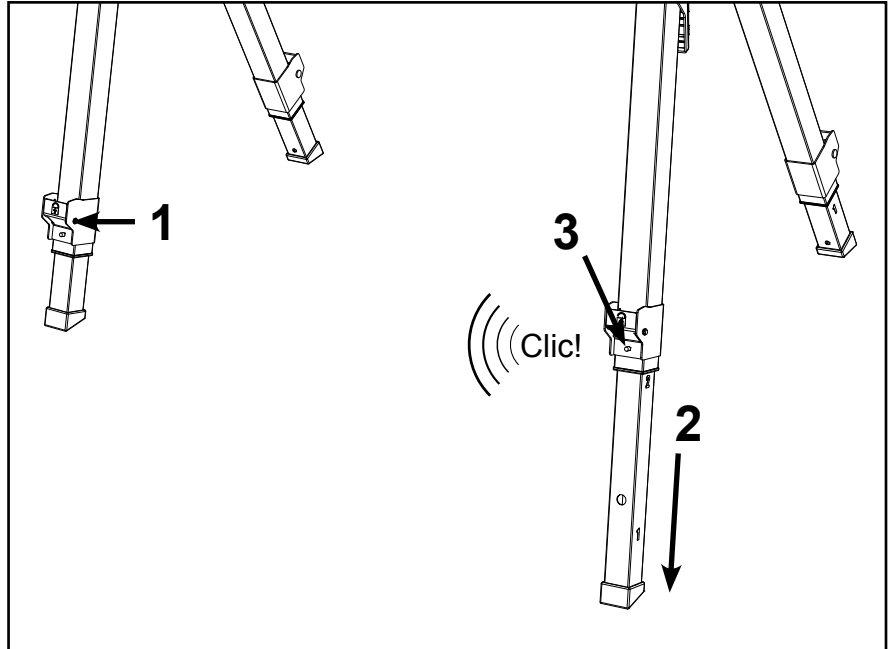
CONFIGURATION

- 1 Appuyez sur le dispositif de blocage des pieds.
- 2 Déployez le pied.
- 3 Clic!



RALLONGE DES PIEDS

- 1 Appuyez sur le dispositif de blocage des rallonges de pied.
- 2 Tirez sur le pied pour le rallonger.
- 3 Clic!



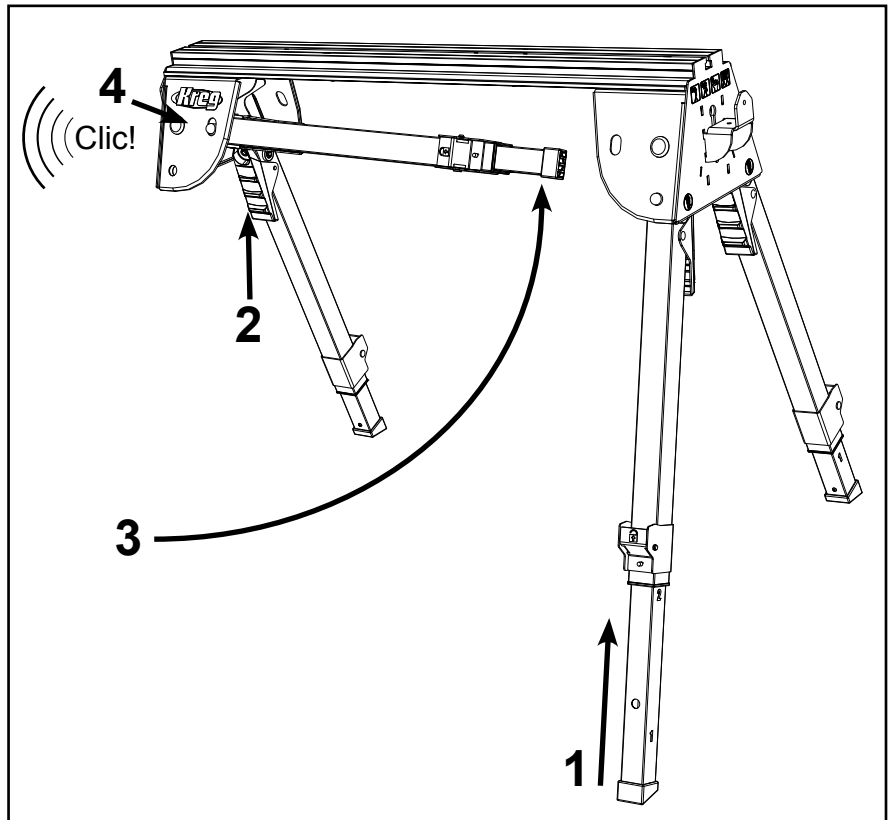
HAUTEURS POSSIBLES DU CHEVALET À RAIL TRACK HORSE

POSITION DU PIED	HAUTEUR DU RAIL
Plié	168 mm (6,63 po)
1	652 mm (25,65 po)
2*	804 mm (31,65 po)
3	829 mm (32,65 po)
4	855 mm (33,65 po)
5	880 mm (34,65 po)
6	906 mm (35,65 po)

* La position n° 2 de la rallonge de pied correspond à la hauteur du centre de projets mobile Kreg.

RANGEMENT

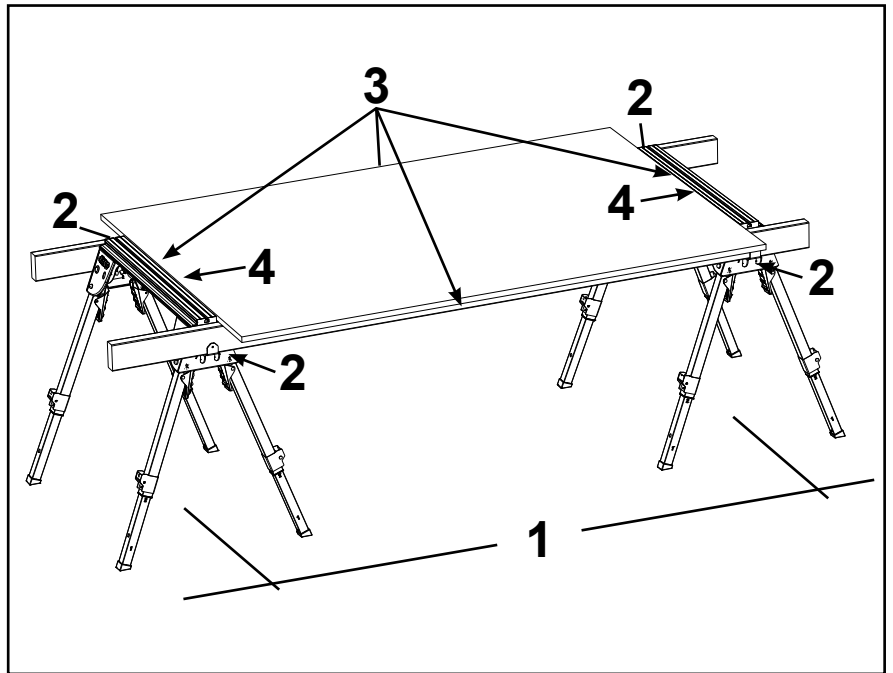
- 1 Réglez la longueur des pieds à la position n° 1.
- 2 Appuyez sur le dispositif de blocage des pieds.
- 3 Repliez les pieds.
- 4 Assurez-vous que les goupilles d'arrêt s'enclenchent.



CONFIGURATION

CONFIGURATION DE TABLE

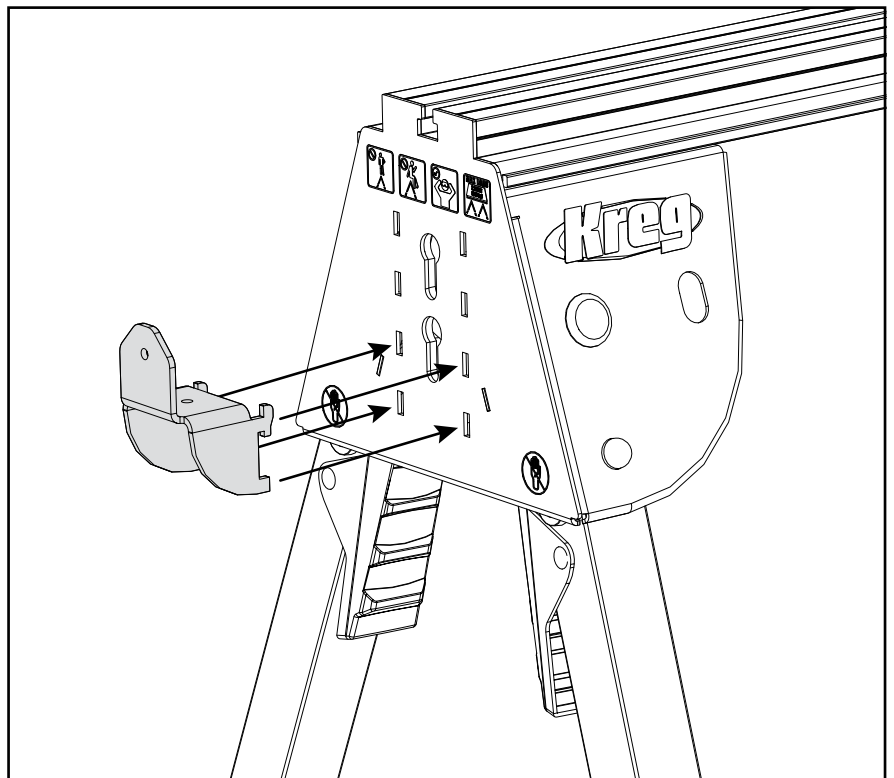
- 1 Positionnez deux chevalets à rail Track Horse à une distance maximale de 2,13 m (7 pi).
- 2 Supports en position inférieure, une pièce de 2 x 4 po pour chaque paire de supports.
- 3 Le contreplaqué de $\frac{3}{4}$ po s'appuie sur les pièces de 2 x 4 po et sur les bords des deux rails pour serre-joint Trak.
- 4 Les bords du contreplaqué doivent s'appuyer contre les deux rails du serre-joint Trak.
- 5 Répartissez la charge de façon uniforme.



⚠ AVERTISSEMENT Charge maximale lorsque deux chevalets à rail Track Horse sont utilisés conjointement : 998 kg (2 200 lb), répartis de façon uniforme

POSITION DES SUPPORTS : CONFIGURATION DE TABLE

Insérez les supports dans les fentes inférieures.

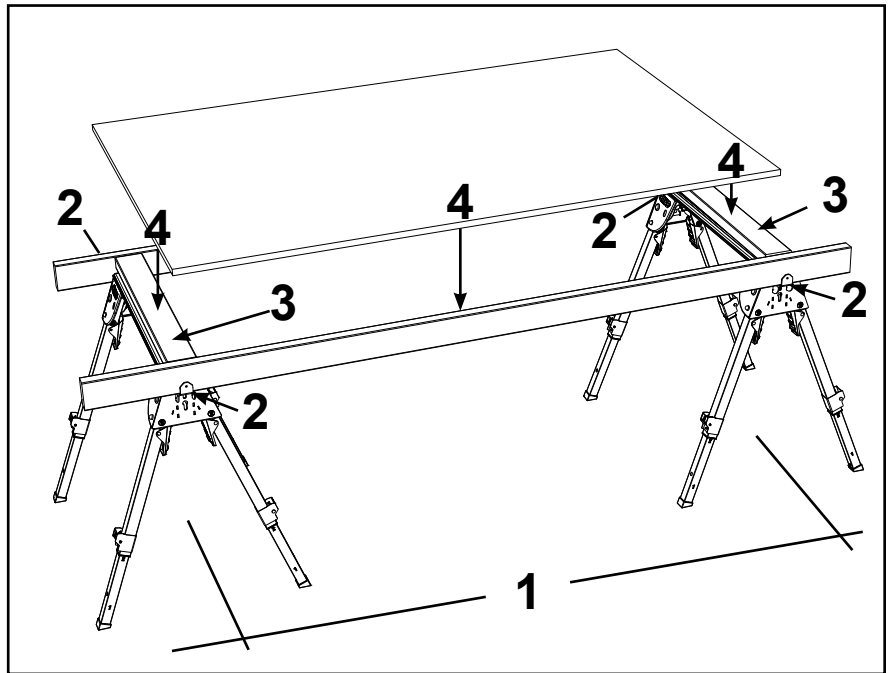


CONFIGURATION

CONFIGURATION DE COUPE

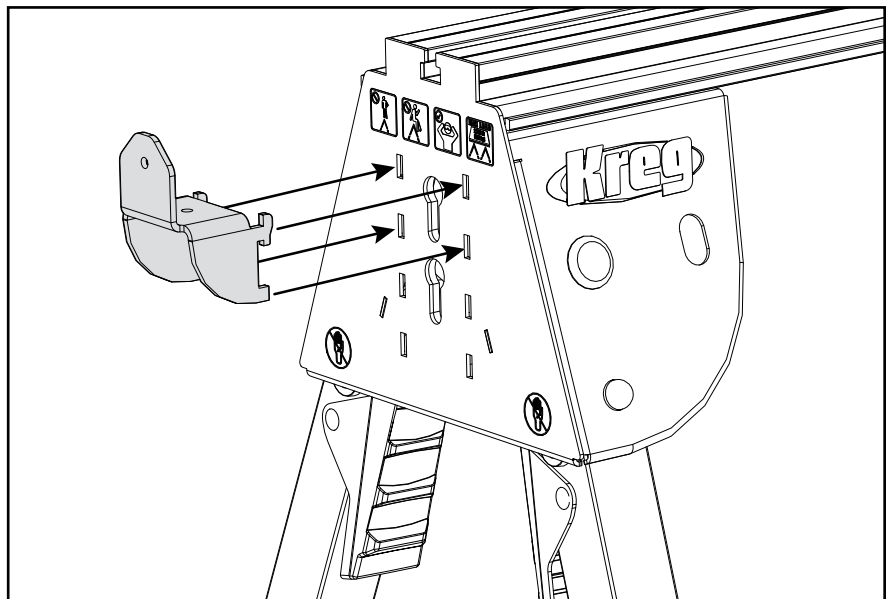
- 1 Positionnez deux chevalets à rail Track Horse à une distance maximale de 2,13 m (7 pi).
- 2 Supports en position supérieure, une pièce de 2 x 4 po pour chaque paire de supports.
- 3 Pièce jetable de 2 x 4 po pour chaque centre de projets mobile.
(Reportez-vous à la section « INSTALLATION D'UNE PIÈCE JETABLE DE 2 x 4 po ».)
- 4 La pièce travaillée s'appuie sur les pièces de 2 x 4 po et sur la pièce jetable de 2 x 4 po.
- 5 Répartissez la charge de façon uniforme.

⚠ AVERTISSEMENT Charge maximale lorsque deux chevalets à rail Track Horse sont utilisés conjointement : 998 kg (2 200 lb), répartis de façon uniforme



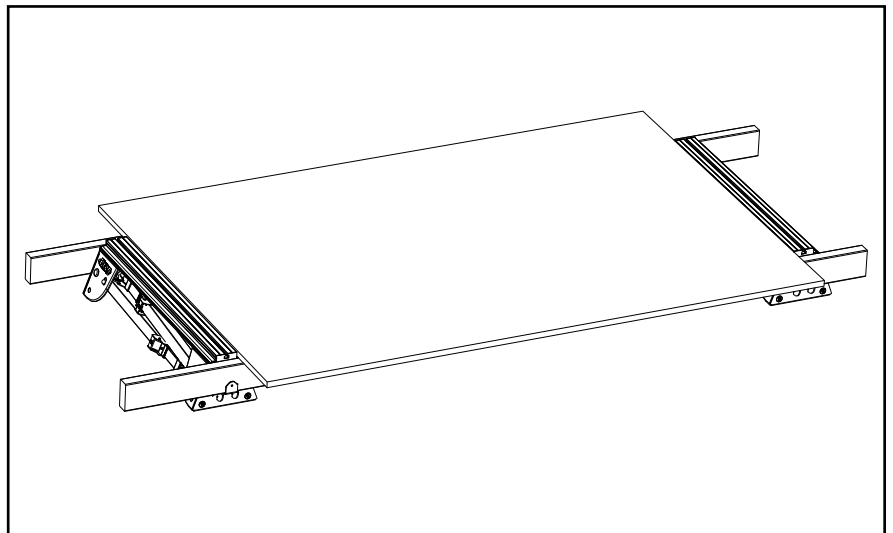
POSITION DES SUPPORTS : CONFIGURATION DE COUPE

Insérez les supports dans les fentes supérieures.



CONFIGURATION AU NIVEAU DU SOL

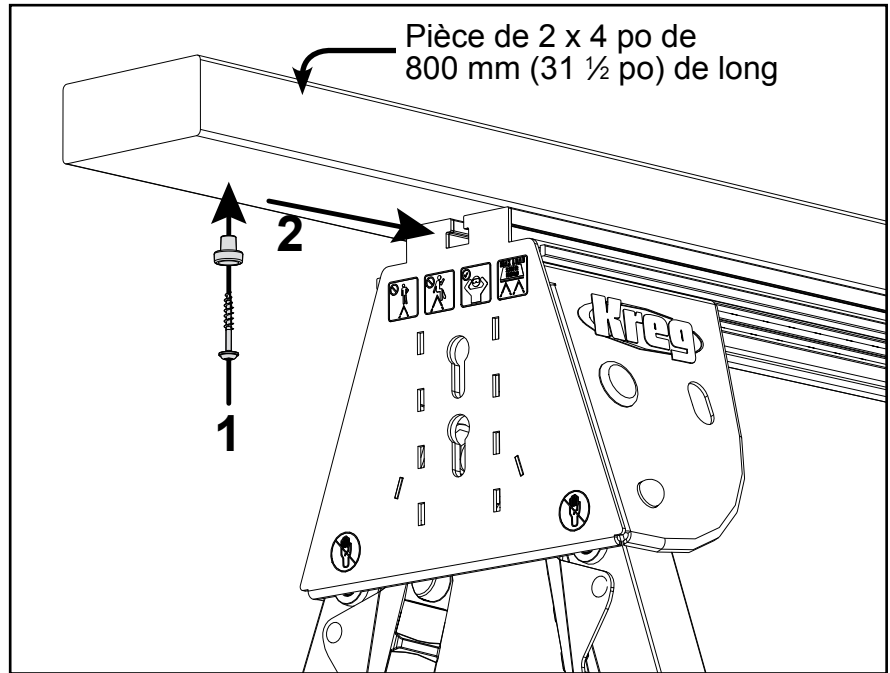
Utilisez deux chevalets à rail Track Horse dans une CONFIGURATION DE TABLE (en laissant les pieds repliés) pour obtenir une table d'assemblage au niveau du sol, ou réglez les chevalets en CONFIGURATION DE COUPE- (en laissant les pieds repliés) pour couper les grandes pièces lourdes.



CONFIGURATION

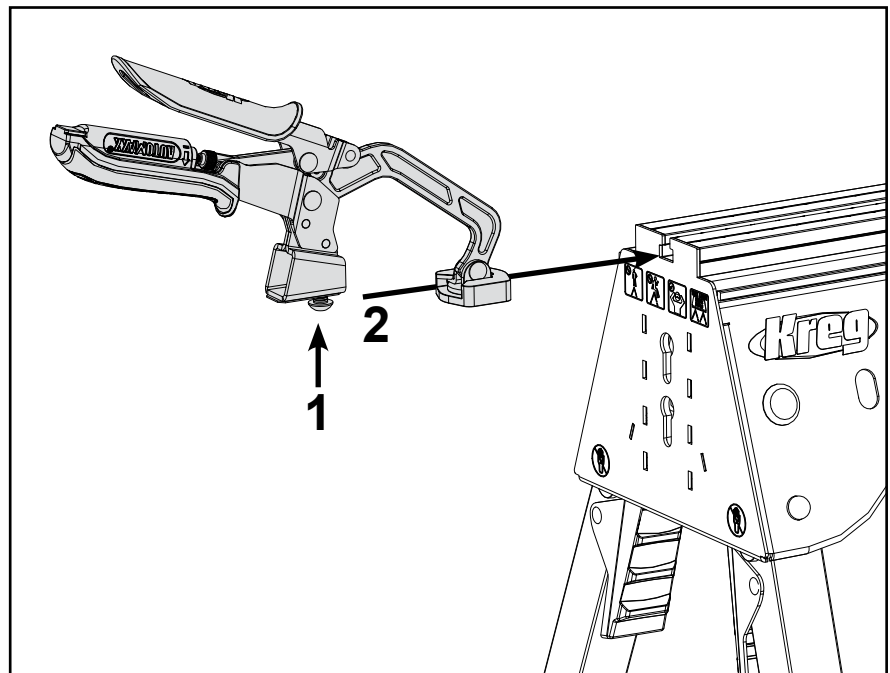
INSTALLATION D'UNE PIÈCE JETABLE DE 2 X 4 PO

- 1 Fixez les douilles du rail sur la pièce de 2 x 4 po.
- 2 Faites-les glisser dans les fentes en T.

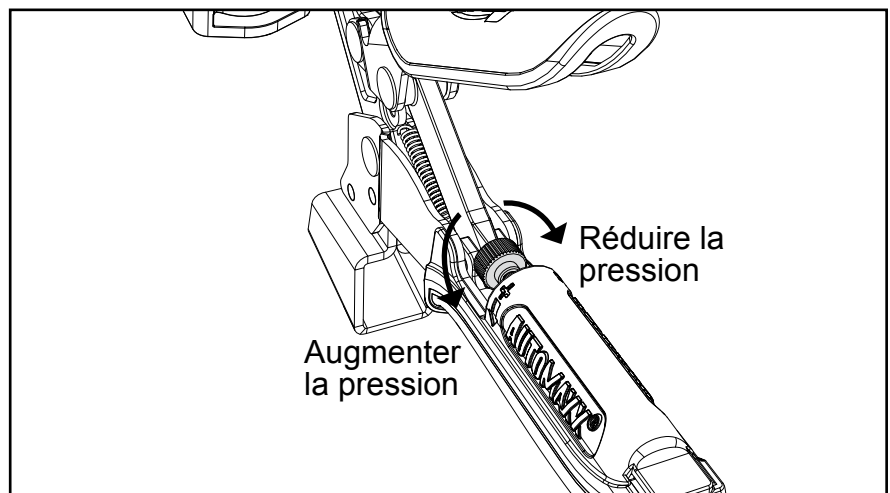


INSTALLATION DU SERRE-JOINT D'ÉTABLI BENCH CLAMP

- 1 Ajustez la vis d'ancrage du serre-joint.
- 2 Faites-la glisser dans la fente en T.



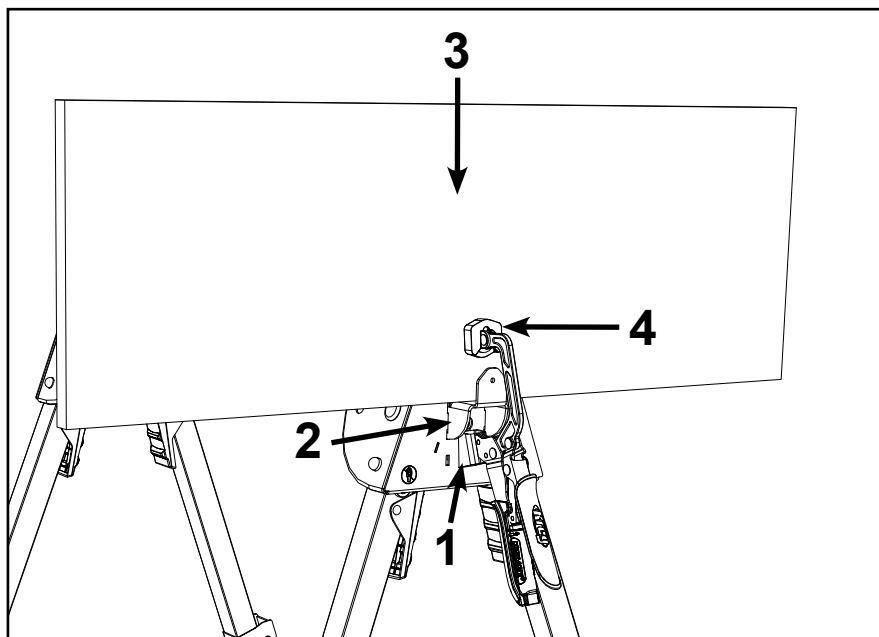
RÉGLAGE DE LA PRESSIION DU SERRE-JOINT D'ÉTABLI BENCH CLAMP



CONFIGURATION

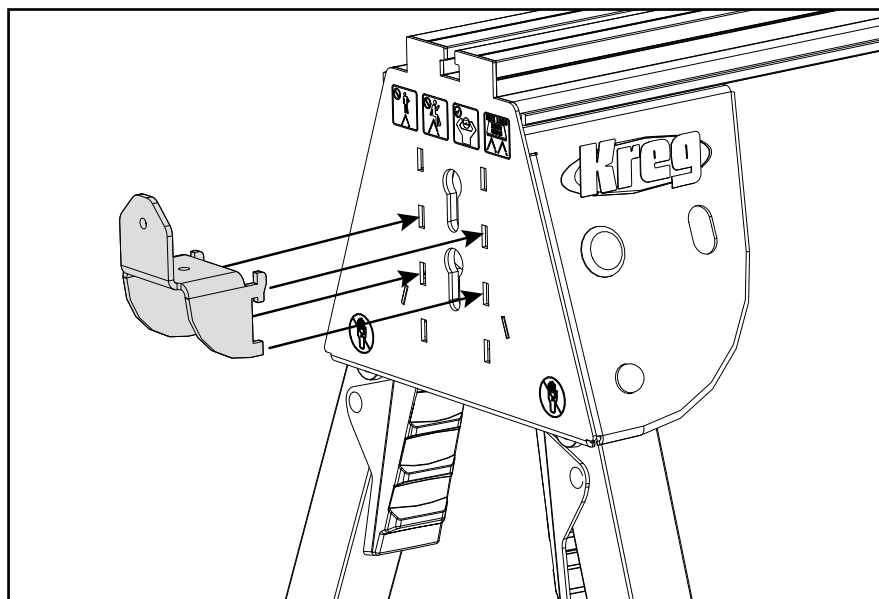
PLAQUE CLAMP VISE

- 1 Insérez le serre-joint d'établi Bench Clamp dans l'encoche en trou de serrure inférieure.
- 2 Insérez le support dans les fentes du milieu.
- 3 Appuyez la pièce sur le support
- 4 serrez le serre-joint.



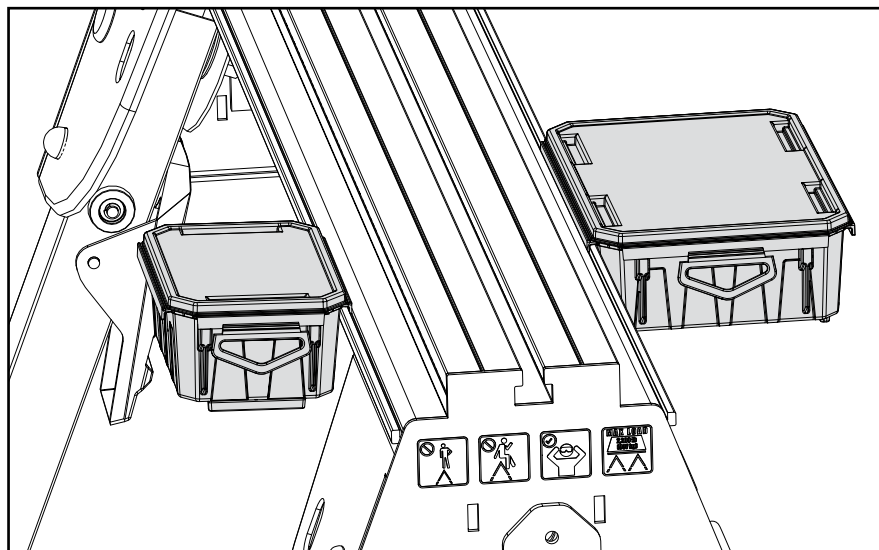
POSITION DES SUPPORTS : PLAQUE CLAMP VISE

Insérez les supports dans les fentes du milieu.



CARACTÉRISTIQUES SUPPLÉMENTAIRES

Accrochez les contenants de vis Kreg aux bords du rail.



ATTENTION : N'accrochez que des contenants de vis Kreg de 250 vis ou moins ainsi que des petits et des grands contenants de quincaillerie Kreg.

INSTRUCCIONES GENERALES DE SEGURIDAD

⚠ ADVERTENCIA Cuando utilice herramientas eléctricas con este producto, siempre debe seguir las instrucciones del fabricante junto con las siguientes precauciones de seguridad para reducir el riesgo de incendios, descargas eléctricas y lesiones personales. Lea todas estas instrucciones antes de hacer funcionar este producto. **GUARDE ESTAS INSTRUCCIONES.**

1) SEGURIDAD EN EL ÁREA DE TRABAJO

- A) Mantenga el área de trabajo limpia y bien iluminada. Las áreas desordenadas u oscuras aumentan las posibilidades de accidentes.
- B) No use herramientas eléctricas en entornos peligrosos. No utilice herramientas eléctricas en áreas húmedas o mojadas ni las exponga a la lluvia.
- C) No utilice herramientas eléctricas en atmósferas en las que exista riesgo de explosión, como por ejemplo, en presencia de líquidos inflamables, gases o polvo. Las herramientas eléctricas producen chispas que pueden encender los vapores o el polvo.
- D) Mantenga a los niños y transeúntes alejados durante la operación de una herramienta eléctrica. Las distracciones pueden hacerle perder el control.
- E) Convierta su taller en un lugar a prueba de niños. Utilice candados o interruptores maestros, o retire las llaves de arranque.

2) SEGURIDAD ELÉCTRICA

- A) Herramientas eléctricas con puesta a tierra. Si la herramienta está equipada con un enchufe de tres clavijas, debe enchufarse solo en un tomacorriente de tres orificios con puesta a tierra. Si no se cuenta con un tomacorriente adecuado, pídale a un electricista calificado que instale uno. Nunca retire la tercera clavija ni modifique el enchufe incluido de ninguna manera.
- B) No exponga las herramientas eléctricas a la lluvia o a condiciones de humedad. Si ingresa agua en una herramienta eléctrica, aumentará el riesgo de descarga eléctrica.
- C) No maltrate el cable. Nunca use el cable para transportar, jalar ni desenchufar la herramienta eléctrica. Mantenga el cable alejado del calor, el aceite, los bordes filosos o las piezas en movimiento. Los cables dañados o enredados aumentan el riesgo de descarga eléctrica.
- D) Use una extensión eléctrica adecuada y asegúrese de que esté en buen estado. Cuando utilice una extensión eléctrica, asegúrese de utilizar una que sea lo suficientemente resistente como para conducir la corriente que la herramienta eléctrica necesita. Un cable de tamaño menor que el requerido causará una baja en el voltaje de la línea. Esto podría provocar un corte de energía y sobrecalentamiento. En la tabla 1, se muestra el calibre correcto de la extensión eléctrica adecuada que debe utilizar según el largo del cable y el amperaje de la herramienta que figura en la placa de datos. Si tiene dudas, utilice el siguiente calibre más resistente. Mientras más bajo sea el número del calibre, más resistente debe ser el cable.
- E) Cuando utilice las herramientas eléctricas, evite el contacto del cuerpo con superficies conectadas a tierra, como tuberías, radiadores, estufas de cocina o refrigeradores. El contacto con una superficie con puesta a tierra aumenta el riesgo de descarga eléctrica.

3) SEGURIDAD PERSONAL

- A) Manténgase alerta, observe lo que hace y actúe con sentido común mientras utiliza una herramienta eléctrica. No utilice una herramienta eléctrica si está cansado o bajo los efectos de drogas, alcohol o medicamentos. Un momento de desatención mientras opera herramientas eléctricas puede provocar lesiones personales graves.
- B) Use gafas de seguridad en todo momento. Los lentes de uso diario no son gafas de seguridad. Las gafas de seguridad tienen lentes, marcos y protectores laterales especiales.
- C) Utilice un equipo de seguridad. Use una protección o mascarilla antipolvo si se desprende demasiado polvo en la operación de corte. El equipo de seguridad, como mascarillas antipolvo, zapatos de seguridad antideslizantes, casco o protección auditiva, que se usa para crear condiciones apropiadas reduce las lesiones personales.
- D) Evite los arranques accidentales. Asegúrese de que el interruptor esté en la posición de apagado antes de enchufar la herramienta. Si se transportan herramientas eléctricas con el dedo en el interruptor o se enchufan herramientas eléctricas que tienen el interruptor encendido, aumentan las posibilidades de accidentes.
- E) Retire todas las llaves de ajuste o llaves inglesas antes de encender la herramienta eléctrica. Si se deja una llave inglesa o una llave conectada a una pieza giratoria de la herramienta eléctrica, se pueden producir lesiones personales.
- F) No se extienda demasiado. Mantenga una postura y un equilibrio adecuados en todo momento. Esto permite un mejor control de la herramienta eléctrica en situaciones inesperadas.
- G) Asegure las piezas de trabajo. Use abrazaderas o una prensa para sostener la pieza de trabajo cuando sea práctico. Es más seguro que usar las manos y, de este modo, ambas manos quedan libres para operar la herramienta.
- H) Nunca se pare sobre la máquina. Si la herramienta se voltea o si toca accidentalmente la herramienta de corte, se pueden producir lesiones graves.
- I) Use ropa adecuada. No use ropa holgada ni joyas. Mantenga el cabello, la ropa y los guantes lejos de las piezas en movimiento. La ropa holgada, las joyas o el cabello largo pueden quedar atrapados en las piezas en movimiento. Arremánguese hasta el codo. Use una malla protectora para contener el cabello largo.
- J) Si se proporcionan dispositivos para la conexión de equipos de extracción y recolección de polvo, asegúrese de que se conecten y

se usen adecuadamente. El uso de estos dispositivos disminuye los peligros relacionados con el polvo.

4) USO Y CUIDADO DE HERRAMIENTAS ELÉCTRICAS

- A) Mantenga las protecciones en su lugar y en buenas condiciones de funcionamiento.
- B) No fuerce la herramienta eléctrica. Utilice la herramienta eléctrica adecuada para su tarea. La herramienta eléctrica adecuada realizará un trabajo más seguro y de mejor calidad al ritmo para el que se diseñó.
- C) Use la herramienta correcta. No fuerce una herramienta o un accesorio para hacer un trabajo para el que no se lo diseñó.
- D) No utilice la herramienta eléctrica si el interruptor no enciende o apaga. Cualquier herramienta eléctrica que no pueda controlarse con el interruptor es peligrosa y debe repararse.
- E) Desconecte el enchufe de la fuente de alimentación o la batería de la herramienta eléctrica antes de realizar cualquier ajuste, cambiar accesorios o almacenar herramientas eléctricas. Este tipo de medidas de seguridad preventivas reduce el riesgo de arranques accidentales de la herramienta eléctrica.
- F) Nunca deje una herramienta en funcionamiento sin supervisión. Apague la herramienta eléctrica. No suelte la herramienta hasta que no se detenga completamente.
- G) Almacene las herramientas eléctricas que no estén en uso fuera del alcance de los niños y no permita que personas que no estén familiarizadas con la herramienta ni con estas instrucciones la utilicen. Las herramientas eléctricas son peligrosas en manos de usuarios sin capacitación.
- H) Realice el mantenimiento de las herramientas eléctricas. Revise si hay desalineación o agarramiento de piezas móviles o piezas rotas, así como cualquier otra condición que pueda afectar el funcionamiento de la herramienta eléctrica. Si se daña la herramienta eléctrica, hágala reparar antes de usarla. Muchos accidentes son producto del mantenimiento incorrecto de las herramientas eléctricas.
- I) Mantenga las herramientas de corte afiladas y limpias. Las herramientas de corte que se mantienen adecuadamente, con sus bordes de corte afilados, son menos propensas a trabarse y son más fáciles de controlar.
- J) Utilice la velocidad recomendada para la herramienta de corte o el accesorio y el material de la pieza de trabajo.
- K) Solo use piezas y accesorios recomendados por el fabricante. Consulte el manual del propietario para conocer los accesorios recomendados. Usar accesorios incorrectos puede causar lesiones personales.
- L) Use la herramienta eléctrica, los accesorios y las brocas para herramienta según estas instrucciones y de la manera adecuada para el tipo de herramienta eléctrica en particular, teniendo en cuenta las condiciones de trabajo y el trabajo que se va a realizar. El uso de la herramienta eléctrica en operaciones diferentes de aquellas para las que se la diseñó puede crear una situación de peligro.

5) REPARACION

- A) Permita que solo una persona capacitada repare la herramienta eléctrica, utilizando solo piezas de repuesto idénticas. De esta manera, mantendrá la seguridad de la herramienta eléctrica.

6) INSTRUCCIONES DE SEGURIDAD ESPECÍFICAS PARA EL KREG TRACK HORSE

- A) Al desplegar las patas, asegúrese de que los pasadores de bloqueo estén completamente conectados en los orificios de las abrazaderas de las patas. Mantenga las manos alejadas de posibles puntos de compresión.
- B) Cuando ajuste la altura de las patas, asegúrese de que los pasadores de bloqueo estén completamente conectados en los orificios de las patas.
- C) Al doblar las patas, no deje la mano entre la pata y el riel. Mantenga las manos alejadas de posibles puntos de compresión.
- D) Siempre trabaje sobre una superficie firme, seca y nivelada.
- E) Cuando utilice herramientas eléctricas con el Track Horse, siga las instrucciones de seguridad del fabricante de la herramienta.
- F) Cuando use dos Track Horse en la configuración de mesa, siempre apoye las piezas de trabajo en ambos rieles laterales de 2x4 o en ambos Track Horse. Asegúrese de que la hoja de la sierra no entre en contacto con los rieles laterales ni con los Track Horse.
- G) Cuando utilice dos Track Horse en la configuración de corte, siempre apoye las piezas de trabajo en ambos rieles laterales de 2x4 y al menos un travesaño de 2x4 conectado al riel en T del Track Horse con los aditamentos proporcionados. Ajuste la profundidad de corte de la sierra 3 mm [$\frac{1}{8}$ "] más profundo que el grosor de la pieza de trabajo.
- H) El Track Horse no está diseñado para usarse en exteriores en condiciones de humedad.
- I) Guarde siempre el Track Horse en interiores o en un área protegida del clima.
- J) No use el Track Horse como andamio, escalón, asiento ni para ningún propósito que no se haya indicado en este manual.
- K) No apoye materiales en los bloqueos de extensión de las patas.
- L) No cuelgue artículos del Track Horse, salvo como se indica en este manual.

INSTRUCCIONES GENERALES DE SEGURIDAD

PAUTAS PARA EL USO DE EXTENSIONES ELÉCTRICAS

Las extensiones eléctricas son solo para uso temporal. No reemplazan la necesidad de instalar tomacorrientes y el cableado adecuado cuando sea necesario.

EN EL TALLER Y EN LOS SITIOS DE CONSTRUCCIÓN:

1. Se deben usar extensiones eléctricas con conductor de puesta a tierra del equipo en todo momento.
2. Las extensiones eléctricas deben protegerse de daños y no deben tenderse a través de puertas o ventanas, ya que estas puedan cerrarse y dañar el cable.
3. Las extensiones eléctricas deben ser de 16 AWG como mínimo y tener una clasificación adecuada para el equipo que se utiliza.
4. Las extensiones eléctricas deben inspeccionarse periódicamente para garantizar que el aislamiento y la conductividad de los conductores no se vean comprometidos.
5. Las extensiones eléctricas no deben tenderse sobre agua y no se debe permitir que las conexiones estén expuestas a agua acumulada.

TABLA 1

AMPERIOS QUE FIGURAN EN LA PLACA DE DATOS @120 V	LARGO DE LA EXTENSIÓN ELÉCTRICA					
	25'	50'	75'	100'	150'	200'
	CALIBRE DE CABLE RECOMENDADO					
0 - 5	16	16	16	14	12	12
5.1 - 8	16	16	14	12	10	NR
8.1 - 12	14	14	12	10	NR	NR
12.1 - 16	12	12	NR	NR	NR	NR

NR: NO RECOMENDADO

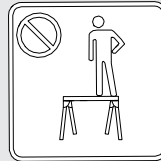
⚠ PELIGRO DE DESCARGA ELÉCTRICA Las partes metálicas de este producto conducen electricidad. Evite cualquier condición que cause un contacto eléctrico. Las herramientas eléctricas con una conexión a tierra inadecuada presentan un riesgo de descarga eléctrica que puede ocasionar lesiones corporales graves o la muerte, especialmente cuando se utilizan en un lugar húmedo, cerca de tuberías y otras superficies con toma de tierra o al aire libre.

⚠ Advertencia: este producto lo puede exponer a sustancias químicas, incluida el negro de carbón, reconocida por el estado de California como causante de cáncer. Para obtener más información, visite www.P65Warnings.ca.gov.

EXPLICACIÓN DE LOS SÍMBOLOS DE SEGURIDAD DEL TRACK HORSE



PUNTO DE COMPRESIÓN



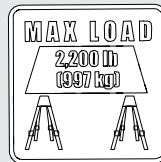
NO SE PARE EN EL TRACK HORSE



NO SE SIENTE EN EL TRACK HORSE



SIEMPRE USE LENTES DE PROTECCIÓN



CARGA MÁXIMA, DOS TRACK HORSE UTILIZADOS JUNTOS: 997 KG [2200 LB], DISTRIBUIDOS UNIFORMEMENTE

GARANTÍA LIMITADA DEL KREG TRACK HORSE

Kreg Tool Company garantiza exclusivamente al comprador original, que el Kreg Track Horse no presentará defectos ni en los materiales ni en la mano de obra durante un periodo de tres (3) años a partir de la fecha de compra. Kreg Tool Company, a su criterio, reparará o reemplazará cualquier producto (o componente del producto) que presente defectos, durante dicho periodo de garantía. Esta garantía se aplica únicamente a los productos que se utilizan de acuerdo con todas las indicaciones establecidas en los catálogos, manuales o conjuntos de instrucciones proporcionados por Kreg Tool Company.

Esta garantía entra en vigencia solo si el comprador original completa correctamente el registro del producto en línea (www.kregtool.com) o llama al Servicio al Cliente de Kreg Tool Company (1-800-447-8638).

Esta garantía queda nula y sin validez si el producto se ha sometido a (1) mal uso, abuso o almacenamiento inadecuado; (2) accidente, negligencia, daño u otras circunstancias ajenas al control de Kreg Tool Company; (3) modificaciones, desmontaje, transformación, alteraciones o reparaciones no autorizadas por Kreg Tool Company; y (4) para compradores no originales. Esta garantía no se aplica al desgaste normal la corrosión, la abrasión o reparaciones necesarias a raíz de casos fortuitos.

La presente constituye la única garantía de Kreg Tool Company. Cualquier otra garantía que pueda estar implícita por la ley, lo que incluye cualquier garantía de comerciabilidad o idoneidad para un fin particular, están por tanto limitadas a la duración de esta garantía. Kreg Tool Company no será responsable por pérdidas, daños o gastos relacionados de forma directa o indirecta al uso sus productos ni por ninguna otra causa o daño resultante (lo que incluye pero no se limita a pérdidas de tiempo, molestias y pérdidas de producción). La garantía descrita en el presente documento no puede modificarse. Además, ninguna garantía adicional, expresa o implícita, puede hacerse por Kreg Tool Company ni en su nombre.

Para sus registros, la siguiente información será útil en el caso que se requiera un reclamo de la garantía. Para los registros completos, adjunte una copia del comprobante.

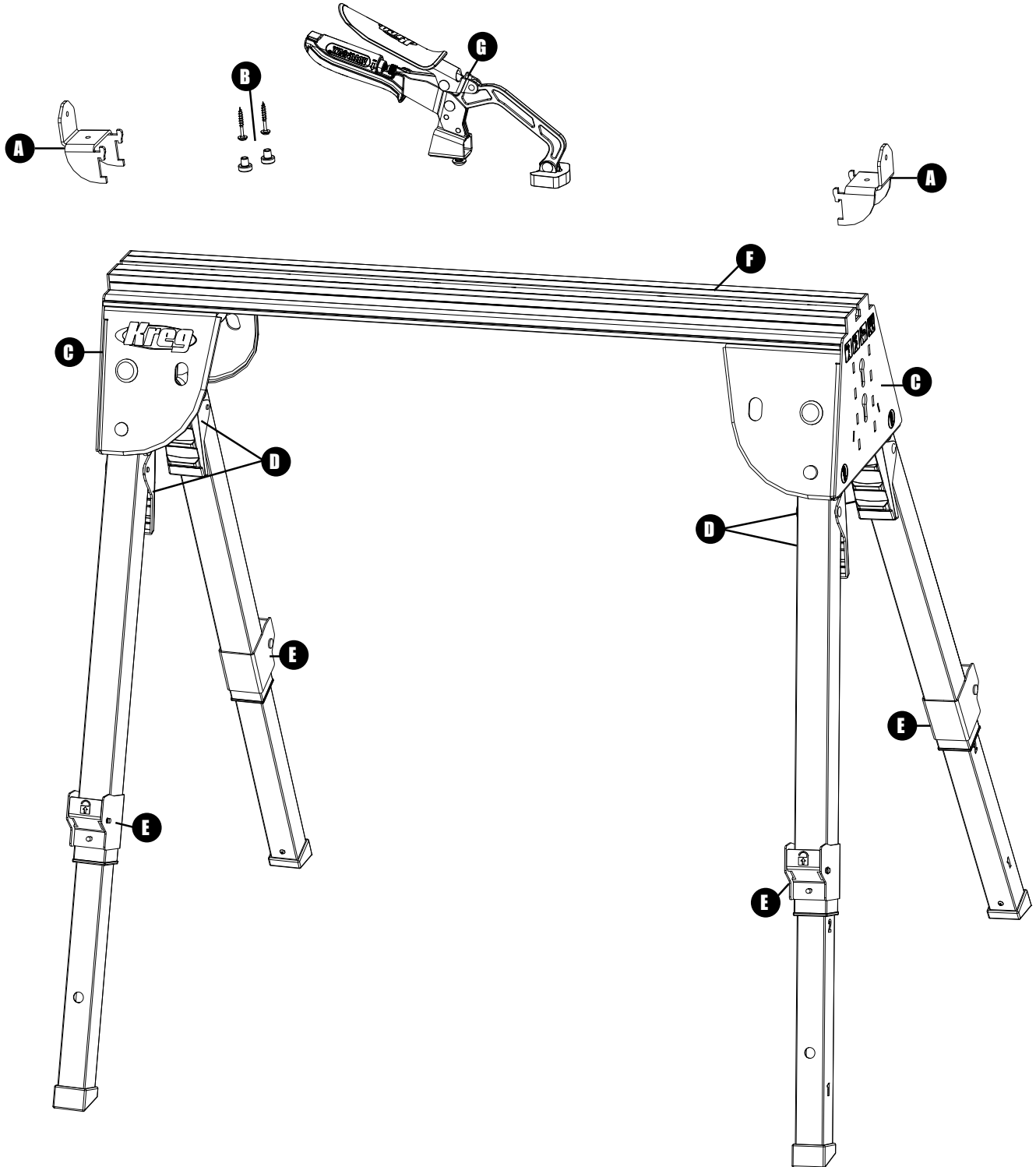
Fecha de compra ___/___/___

Comprado en: _____

PIEZAS

#	NOMBRE	CANTIDAD
A	ABRAZADERAS DE SOPORTE	2
B	CONECTORES Y TORNILLOS DE RIELES	2
C	ABRAZADERA DE PATAS	2
D	TRABA DE PIVOTE DE PATAS	4

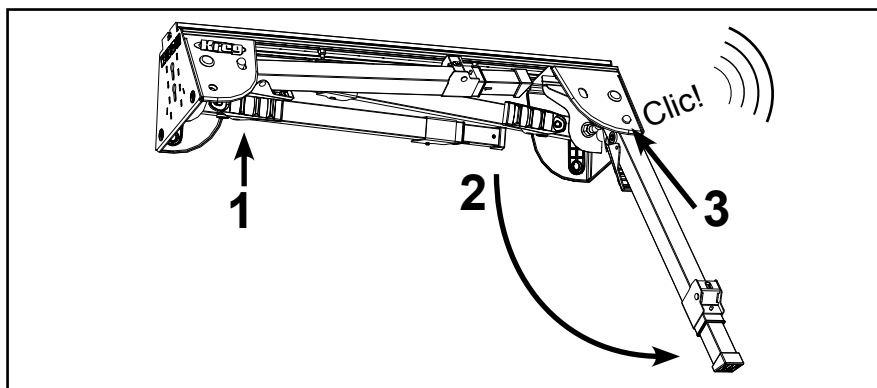
#	NOMBRE	CANTIDAD
E	TRABA DE EXTENSIÓN DE PATAS	4
F	RIEL DE ABRAZADERA	1
G	ABRAZADERA DE BANCO	1



INSTALACIÓN

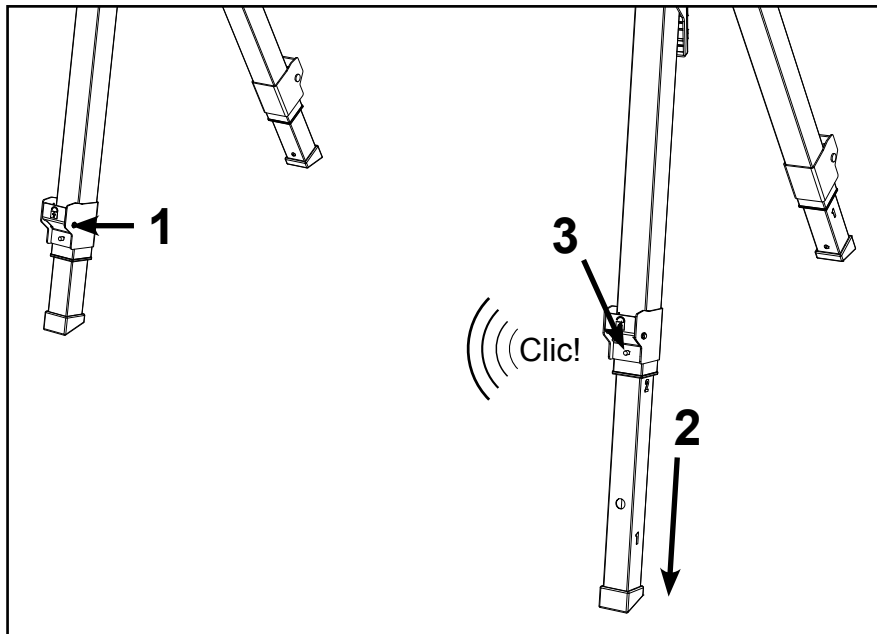
INSTALACIÓN

- 1 Apriete la traba de pivote de las patas.
- 2 Gire la pata para bajarla.
- 3 Escuche el clic.



PATAS EXTENDIDAS

- 1 Presione la traba de extensión de las patas.
- 2 Jale la pata para bajarla.
- 3 Escuche el clic.



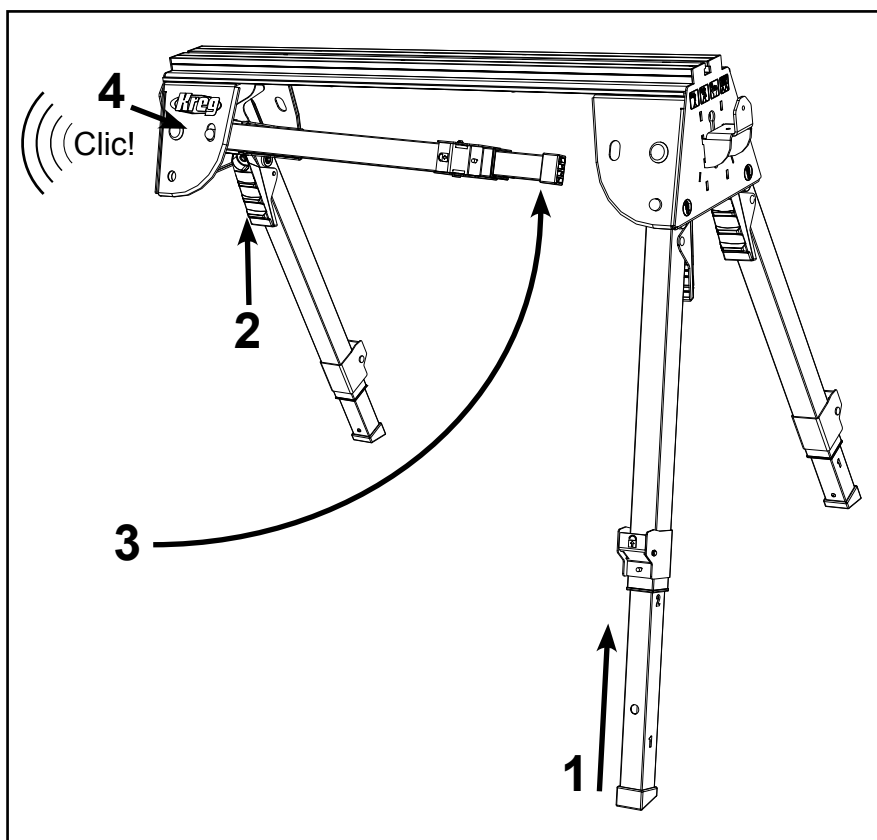
ALTURAS DEL TRACK HORSE

POSICIÓN DE LAS PATAS	ALTURA DEL RIEL
Plegada	168 mm [6,63"]
1	626 mm [25,65"]
2*	804 mm [31,65"]
3	829 mm [32,65"]
4	855 mm [33,65"]
5	880 mm [34,65"]
6	906 mm [35,65"]

*La Posición 2 de las patas coincide con la altura del Centro de proyectos móvil Kreg.

ALMACENAMIENTO

- 1 Vuelva a colocar las patas en la posición 1.
- 2 Apriete la traba de pivote de las patas.
- 3 Gire la pata a la posición plegada.
- 4 Asegúrese de que el pasador de traba se conecte.

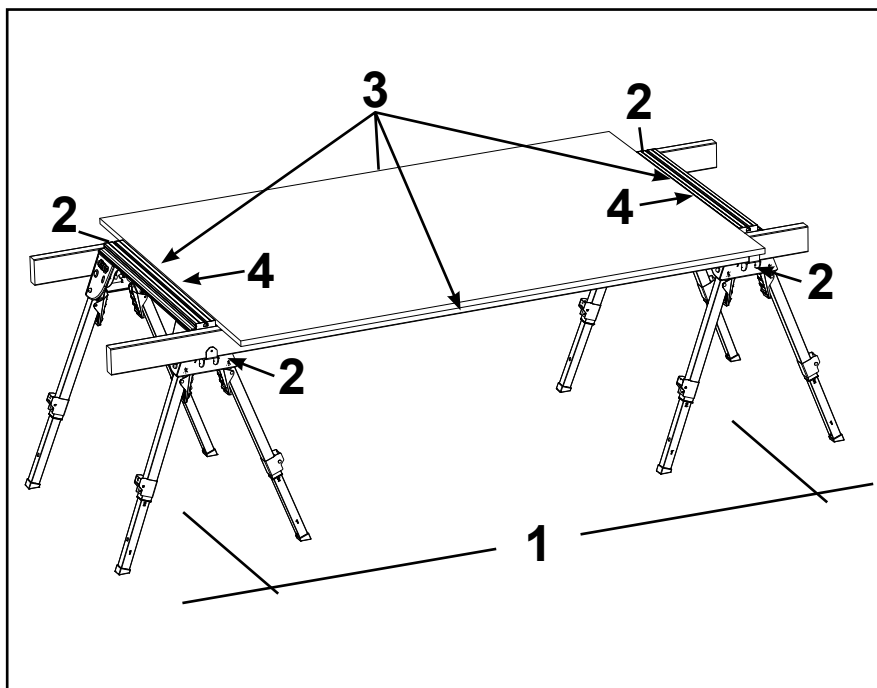


INSTALACIÓN

CONFIGURACIÓN DE MESA

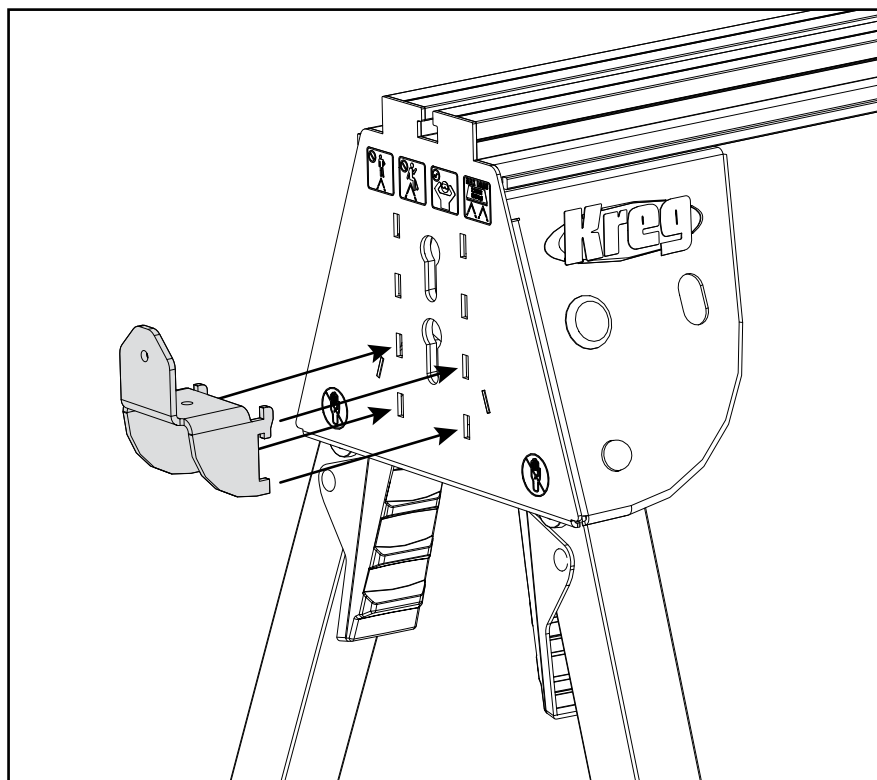
- 1 Coloque dos Track Horse con una separación máxima de 2 m [7 pies].
- 2 Coloque las abrazaderas de soporte en la posición inferior, un riel de 2x4 en cada par de abrazaderas.
- 3 La madera contrachapada de $\frac{3}{4}$ "se apoya en los rieles de 2x4 y los bordes de ambos rieles de abrazadera.
- 4 Los bordes de la madera contrachapada se colocan firmemente contra ambos rieles de abrazadera.
- 5 Distribuya el peso de manera uniforme.

⚠ ADVERTENCIA Carga máxima, dos Track Horse juntos, 998 kg [2200 lb], distribuidos de manera uniforme



POSICIÓN DE LAS ABRAZADERAS: CONFIGURACIÓN DE MESA

Monte las abrazaderas de soporte en las ranuras inferiores.

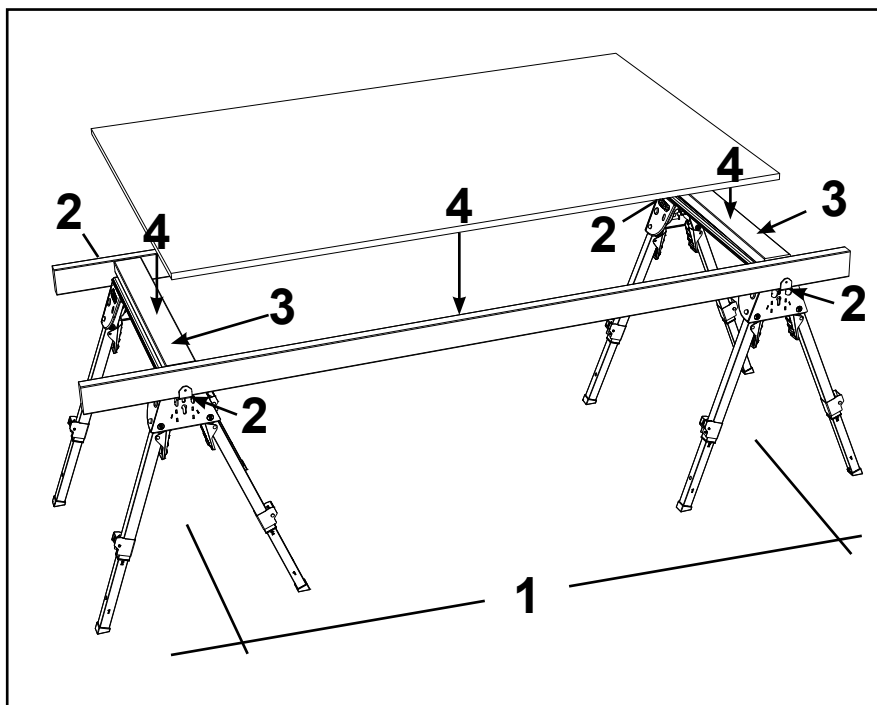


INSTALACIÓN

CONFIGURACIÓN DE CORTE

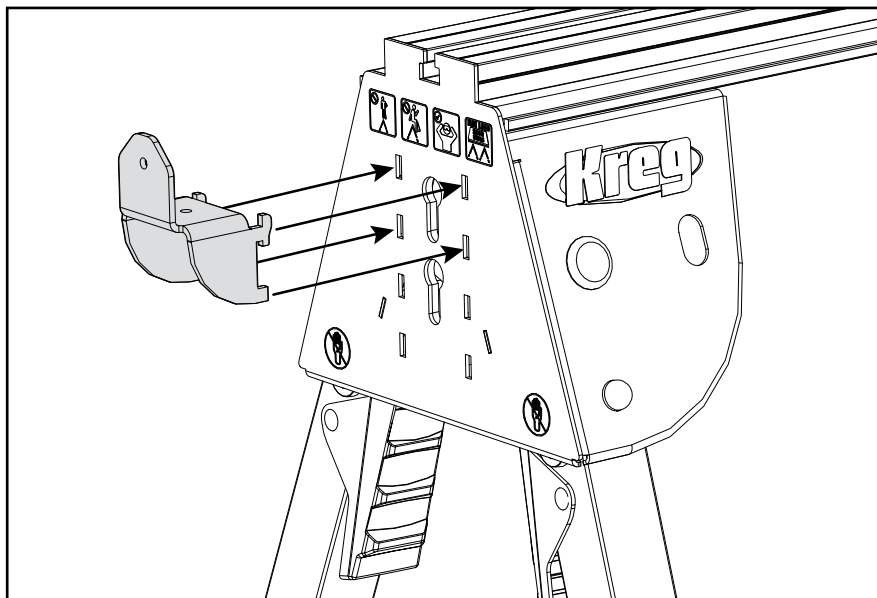
- 1 Coloque dos Track Horse con una separación máxima de 2 m [7 pies].
- 2 Coloque las abrazaderas de soporte en la posición superior, un riel de 2x4 en cada par de soportes.
- 3 Tabla de protección de 2x4 instalada en cada Centro de proyectos móvil. (consulte MONTAJE DE UNA TABLA DE PROTECCIÓN DE 2x4)
- 4 La pieza de trabajo se apoya en los rieles de 2x4 y en las tablas de protección de 2x4.
- 5 Distribuya el peso de manera uniforme.

⚠ ADVERTENCIA Carga máxima, dos Track Horse juntos, 998 kg [2200 lb], distribuidos de manera uniforme



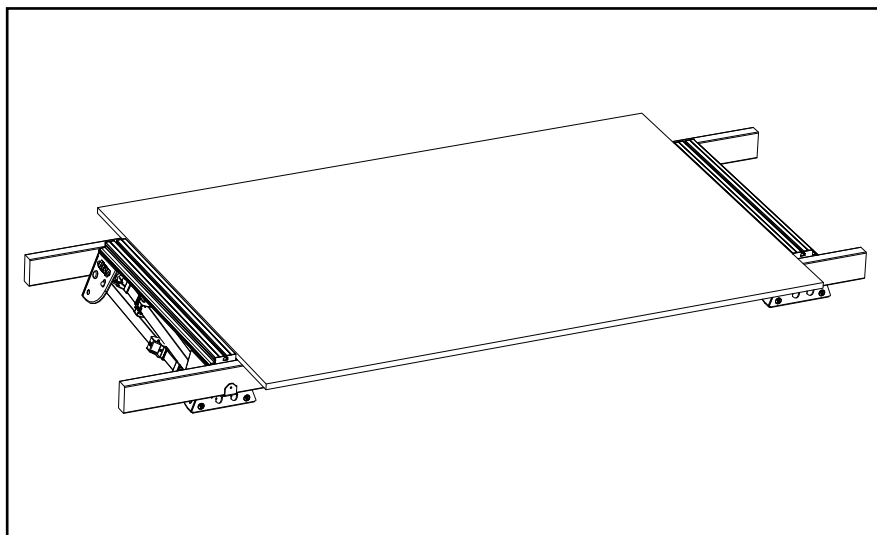
POSICIÓN DE LAS ABRAZADERAS: CONFIGURACIÓN DE CORTE

Monte las abrazaderas de soporte en las ranuras superiores.



MODALIDAD A NIVEL DEL SUELO

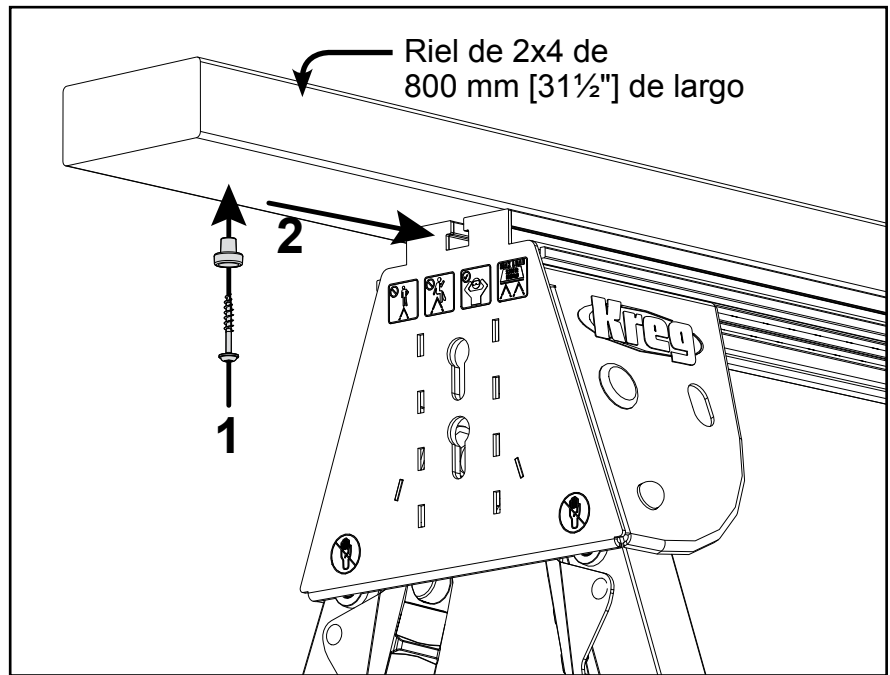
Use un par de Track Horse con las patas dobladas en CONFIGURACIÓN DE MESA (los soportes de las patas estarán apoyados en el suelo) para crear una mesa de ensamblaje de baja altura o en CONFIGURACIÓN DE CORTE (los soportes de las patas estarán apoyados en el suelo) para cortar láminas grandes y pesadas.



INSTALACIÓN

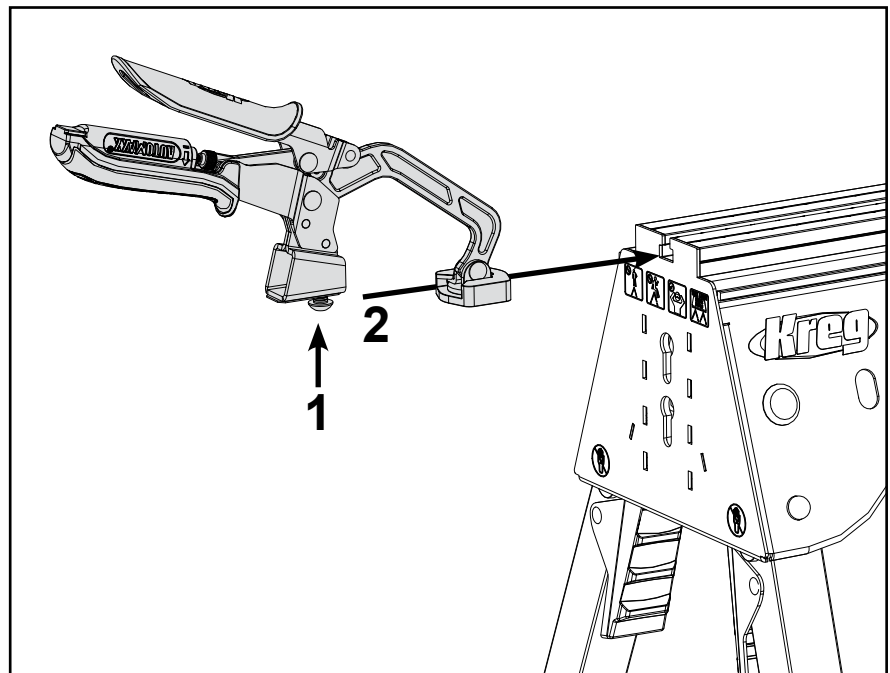
MONTAJE DE UNA TABLA DE PROTECCIÓN DE 2x4

- 1 Fije los conectores de riel al riel de 2x4.
- 2 Deslícelos en la ranura en T.

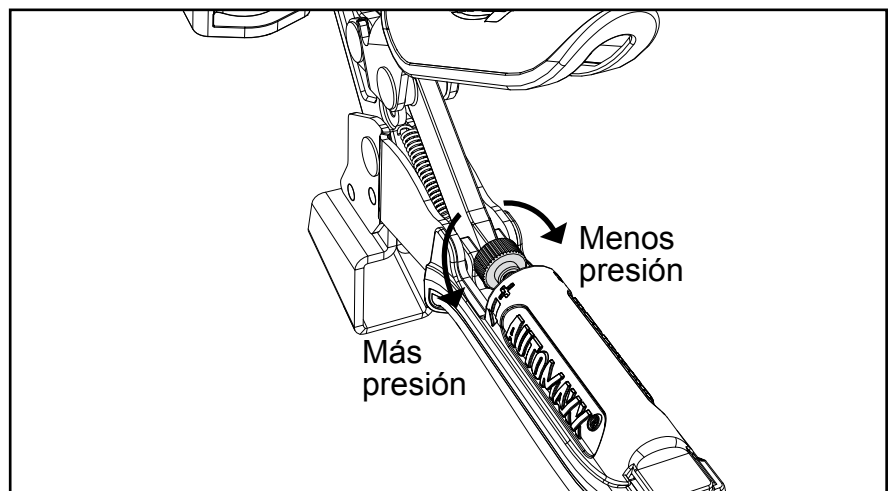


MONTAJE DE UNA ABRAZADERA DE BANCO

- 1 Ajuste el tornillo de anclaje de la abrazadera.
- 2 Deslícelo en la ranura en T.



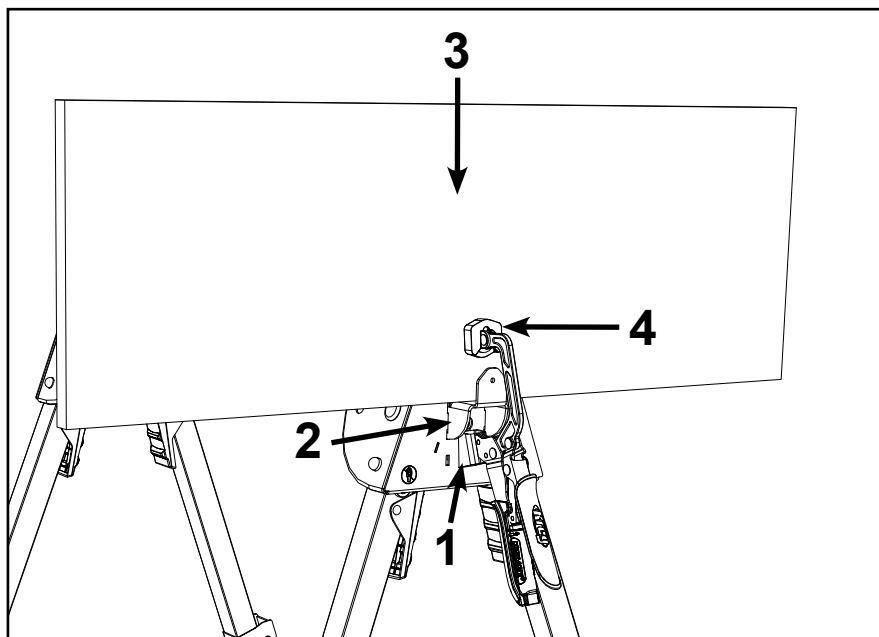
AJUSTE DE LA PRESIÓN DE LA ABRAZADERA DE BANCO



INSTALACIÓN

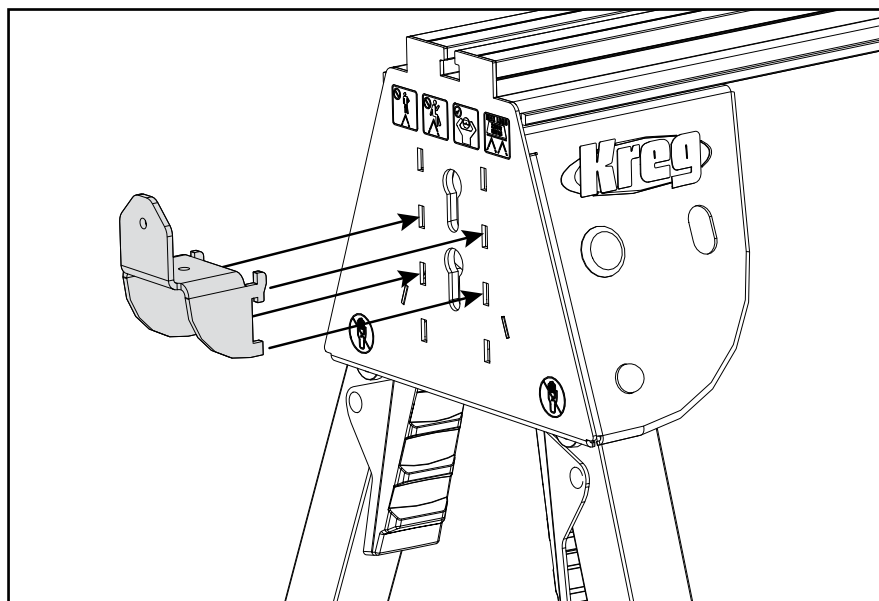
CLAMP VISE

- 1 Instale la abrazadera de banco en la ranura inferior con forma de cerradura.
- 2 Instale la abrazadera de soporte en las ranuras del medio.
- 3 Apoye la pieza de trabajo en la abrazadera
- 4 y apriete.



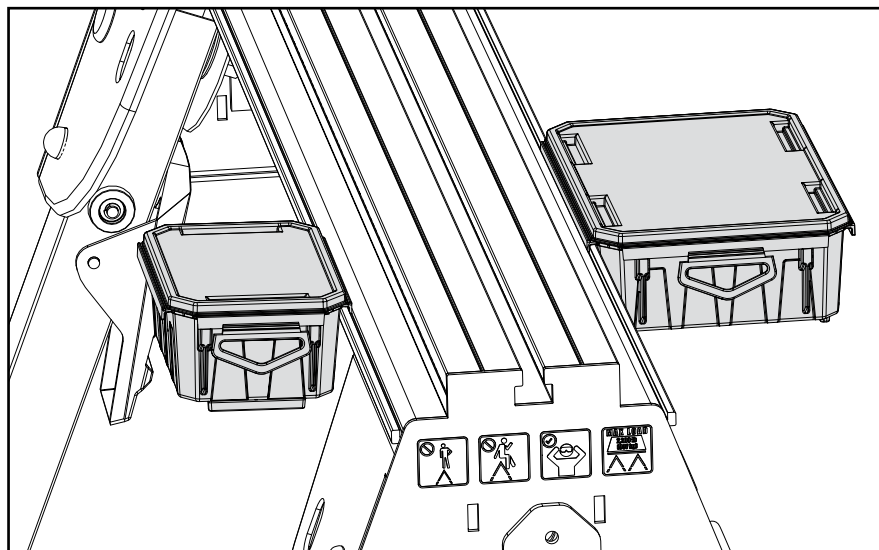
POSICIÓN DE LAS ABRAZADERAS: CLAMP VISE

Monte las abrazaderas de soporte en las ranuras del medio.



CARACTERÍSTICAS ADICIONALES

Cuelgue los contenedores para tornillos Kreg de los bordes de los rieles



⚠ ATENCIÓN Cuelgue solo contenedores Kreg para 250 tornillos o más pequeños, y contenedores de aditamentos Kreg pequeños o grandes.



www.kregtool.com • 800.447.8638

For assistance with any Kreg product, contact us through our Web site or call Customer Service.

Si vous avez besoin d'aide concernant les produits Kreg, communiquez avec nous sur notre site Web ou appelez notre service à la clientèle.

Si requiere asistencia con cualquier producto Kreg, póngase en contacto con nosotros a través del sitio web o llame al Servicio al Cliente.